

High Frequency Ceramic Solutions

790MHz / 2.20GHz Diplexer, EIA 0805, LPF/HPF filtering scheme

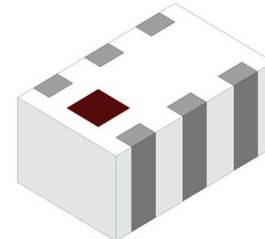
P/N 0790DP15A2205

Detail Specification: 1/25/2023

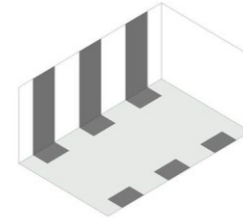
Page 1 of 4

General Specifications

Part Number	0790DP15A2205	
Passband (MHz)	617 - 960	1710 - 2700
Insertion Loss (dB)	0.5 max.	0.5 max.
Return Loss (dB)	9.5 min.	9.5 min.
Attenuation (dB)	30 min. @ 1710-2170MHz 30 min. @ 2170-2400MHz 35 min. @ 2400-2700MHz	25 min. @ 617-960MHz
Power Capacity	3W max. (CW)	
Reel Quantity	4,000	
Operating Temp.	-40°C to +85°C	
Recommended Storage Conditions for Un-used Product on T&R	+5°C to +35°C Humidity 45 - 75% RH 18 months max.	



(Top)



(Bottom)

Part Number Explanation

P/N Suffix	Packing Style	Bulk	Suffix = S	eg. 0790DP15A2205S
		T & R	Suffix = E	eg. 0790DP15A2205E
	Termination style	100% Tin	Suffix = None	eg. 0790DP15A2205(E or S)
	Evaluation Board	0790DP15A2205-EB1SMA		

Not exactly what you are looking for and want to see our other diplexers? Go to:

<https://www.johansontechnology.com/diplexers>

Mechanical Dimensions

	In	mm
L	0.079 ± 0.004	2.0 ± 0.1
W	0.049 ± 0.004	1.25 ± 0.1
T	0.035 ± 0.004	0.9 ± 0.1
a	0.012 ± 0.004	0.3 ± 0.1
b	0.008 ± 0.008	0.2 ± 0.2
c	0.012 +0.004/-0.008	0.3 +0.1/-0.2
g	0.014 ± 0.004	0.35 ± 0.1
p	0.026 ± 0.002	0.65 ± 0.05

Terminal Configuration

1	GND	4	Lower Freq. Port
2	Common Port	5	GND
3	GND	6	Higher Freq. Port

Johanson Technology, Inc. reserves the right to make design changes without notice.
All sales are subject to Johanson Technology, Inc. terms and conditions.



<https://www.johansontechnology.com>

4001 Calle Tecate • Camarillo, CA 93012 • TEL 805.389.1166 FAX 805.389.1821

Ver. 1.0

2018 Johanson Technology, Inc. All Rights Reserved

High Frequency Ceramic Solutions

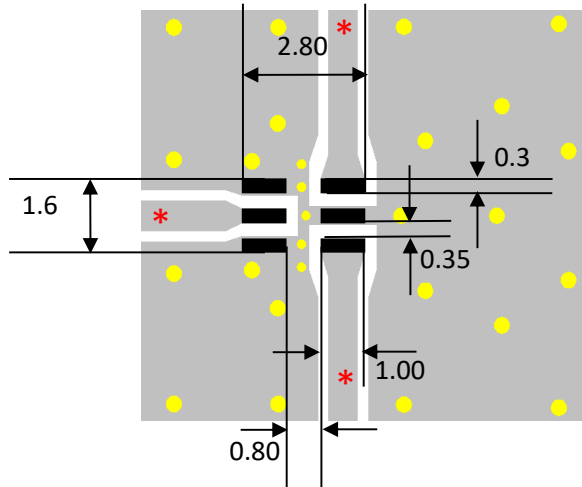
790MHz / 2.20GHz Diplexer, EIA 0805, LPF/HPF filtering scheme

P/N 0790DP15A2205

Detail Specification: 1/25/2023

Page 2 of 4

Mounting Considerations



■ GND

■ Solderpads

○ Through-hole (ϕ 0.35)

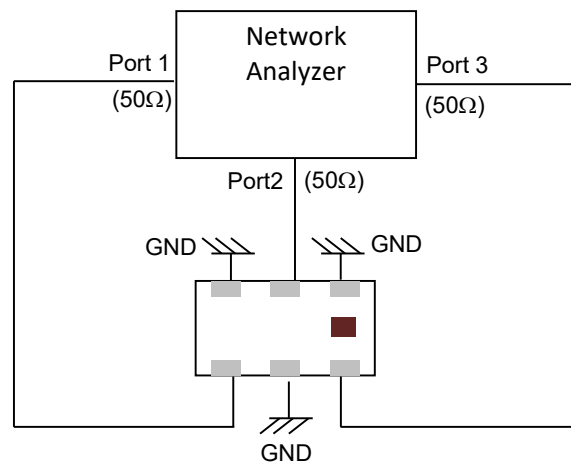
○ Through-hole (ϕ 0.2)

* Line width should be designed to maintain 50 Ω characteristic impedance (CPWG preferred), depending on PCB material and thickness.

Would you like the layout file for this component?

Please send us as message at: <https://www.johansontechnology.com/ask-a-question>

Measuring Diagram



Johanson Technology, Inc. reserves the right to make design changes without notice.
All sales are subject to Johanson Technology, Inc. terms and conditions.

High Frequency Ceramic Solutions

790MHz / 2.20GHz Diplexer, EIA 0805, LPF/HPF filtering scheme

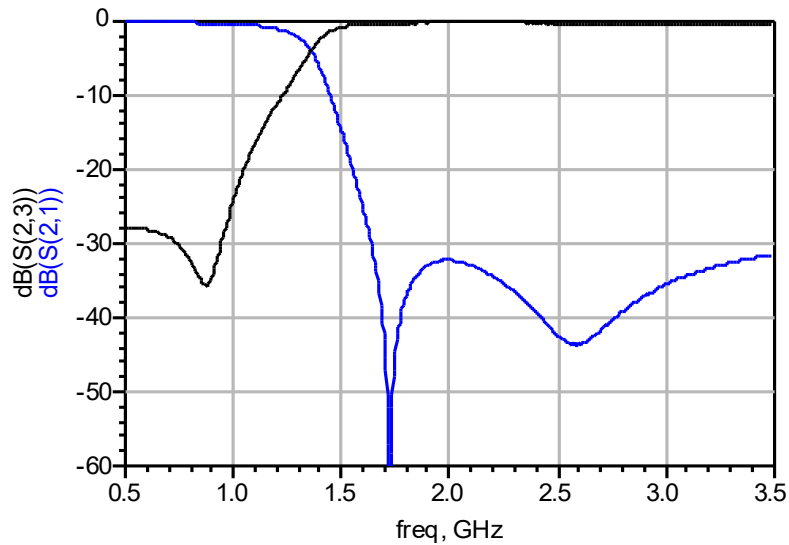
P/N 0790DP15A2205

Detail Specification: 1/25/2023

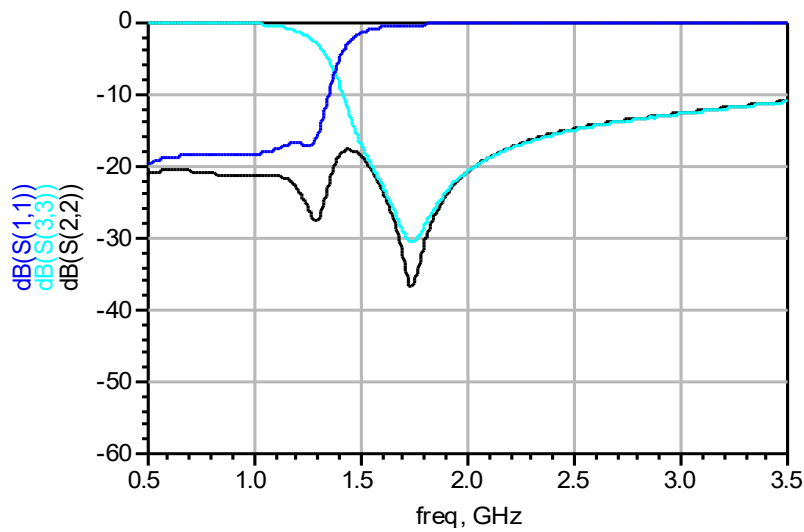
Page 3 of 4

Typical Electrical Characteristics (T=25 °C)

Attenuation



Return Loss



Johanson Technology, Inc. reserves the right to make design changes without notice.
All sales are subject to Johanson Technology, Inc. terms and conditions.

High Frequency Ceramic Solutions

790MHz / 2.20GHz Diplexer, EIA 0805, LPF/HPF filtering scheme

P/N 0790DP15A2205

Detail Specification: 1/25/2023

Page 4 of 4

RoHS Compliance

<https://www.johansontechnology.com/rohs-compliance>

Packaging information

<https://www.johansontechnology.com/tape-reel-packaging>

Soldering Information

<https://www.johansontechnology.com/ipcsoldering-profile>

Layout Files, s-parameters and any other technical questions

<https://www.johansontechnology.com/ask-a-question>

MSL Info

<https://www.johansontechnology.com/msl-rating>

Recommended Storage Condition and Max Shelf Life

<https://www.johansontechnology.com/recommended-storage-conditions>

Antenna layout and tuning techniques

<https://www.johansontechnology.com/tuning>

Antenna layout review, tuning, and characterization services

<https://www.johansontechnology.com/ipc-antenna-services>

Johanson Technology, Inc. reserves the right to make design changes without notice.
All sales are subject to Johanson Technology, Inc. terms and conditions.



Ver. 1.0

<https://www.johansontechnology.com>

4001 Calle Tecate • Camarillo, CA 93012 • TEL 805.389.1166 FAX 805.389.1821

2018 Johanson Technology, Inc. All Rights Reserved