

High Frequency Ceramic Solutions

**Mini Passive RF Diplexer 2.5/6.1GHz for 802.11-WLAN-WiFi,
EIA 0603 with LPF/BPF Filtering Scheme**

P/N 2450DP14A6100

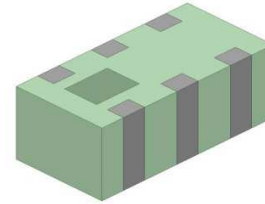
Detail Specification: 4/28/2021

Page 1 of 4

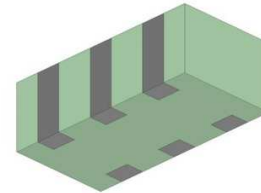
Not exactly what you are looking for and want to see our other diplexers? Go to: <https://www.johansontechnology.com/diplexers>

General Specifications

Part Number	2450DP14A6100	
Passband (MHz)	2400 - 2500	5170 - 7125
Insertion Loss (dB)	0.6 max.	0.9 max.
Return Loss (dB)	12 min.	10 min.
Attenuation (dB)		35 min. @ .070-.108GHz
		35 min. @ .7-.915GHz
		15 min. @ .915-.960GHz
		30 min. @ 1.425-1.47GHz
		28 min. @ 1.47-1.557GHz
		26 min. @ 1.557-1.607GHz
	2 min. @ 3.3-4.8GHz	35 min. @ 1.71-1.785GHz
	33 min. @ 4.8-5GHz	26 min. @ 1.805-1.85GHz
	25 min. @ 5.17-7.125GHz	35 min. @ 1.85-1.91GHz
	25 min. @ 7.2-7.5GHz	35 min. @ 1.91-2.02GHz
	27 min. @ 9.6-10GHz	23 min. @ 2.11-2.2GHz
	20 min. @ 12-12.5GHz	26 min. @ 2.3-2.4GHz
		25 min. @ 2.4-2.5GHz
		20 min. @ 2.5-2.69GHz
	10 min. @ 3.4-3.8GHz	
	25 min. @ 10.34-14.25GHz	
	30 min. @ 15.51-19.5GHz	
	22 min. @ 19.5-21.375GHz	



Top



Bottom

Power Capacity (W)	3 max. (CW)
Operating Temp.	-40 to +85 °C
Recommended Storage Conditions and Period for Unused Product on T&R	+5°C to +35°C Humidity 45 - 75% RH 18 months max.
Reel Quantity (pcs/reel)	4,000

Part Number Explanation

P/N Suffix	Packing Style	Bulk (loose pcs.)	Suffix = S	e.g. 2450DP14A6100S
		T & R	Suffix = T	e.g. 2450DP14A6100T
	Termination Style	100% Tin	Suffix = None	e.g. 2450DP14A6100(T or S)
	Evaluation Board	2450DP14A6100-EB1SMA		

Mechanical Dimensions

	In	mm
L	0.063 ± 0.004	1.6 ± 0.1
W	0.031 ± 0.004	0.8 ± 0.1
T	0.028 max	0.7 max
a	0.008 ± 0.004	0.2 ± 0.1
b	0.008 +.004/-.006	0.2 +0.1/-0.15
c	0.006 ± 0.004	0.15 ± 0.1
g	0.012 ± 0.004	0.3 ± 0.1
p	0.020 ± 0.002	0.5 ± 0.05

Terminal Configuration

No.	Function	No.	Function
1	GND	4	High Freq Band
2	Common Port	5	GND
3	GND	6	Low Freq Band



4001 Calle Tecate • Camarillo, CA 93012 • TEL 805.389.1166 FAX 805.389.1821

Ver. 1.0

<https://www.johansontechnology.com>

2021 Johanson Technology, Inc. All Rights Reserved

High Frequency Ceramic Solutions

Mini Passive RF Diplexer 2.5/6.1GHz for 802.11-WLAN-WiFi,
EIA 0603 with LPF/BPF Filtering Scheme

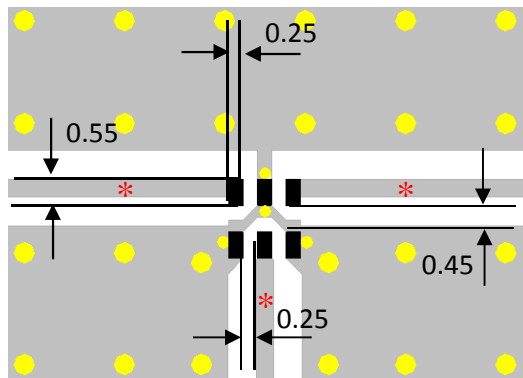
P/N 2450DP14A6100

Detail Specification: 4/28/2021

Page 2 of 4

Mounting Considerations

Units in mm



■ Solder Resist

■ Land

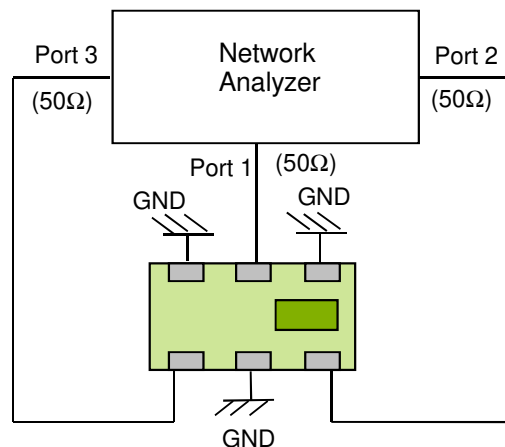
● Through-hole ($\phi 0.35$)

● Through-hole ($\phi 0.2$)

* Line width should be designed to maintain 50 Ω characteristic impedance (CPWG preferred), depending on PCB material and thickness.

Need help with the layout, s-parameters, simulation, or design validation?
Send us a message at: <https://www.johansontechnology.com/ask-a-question>

Measuring Diagram



Johanson Technology, Inc. reserves the right to make design changes without notice.
All sales are subject to Johanson Technology, Inc. terms and conditions.



<https://www.johansontechnology.com>
4001 Calle Tecate • Camarillo, CA 93012 • TEL 805.389.1166 FAX 805.389.1821
Ver. 1.0 2021 Johanson Technology, Inc. All Rights Reserved

High Frequency Ceramic Solutions

Mini Passive RF Diplexer 2.5/6.1GHz for 802.11-WLAN-WiFi,
EIA 0603 with LPF/BPF Filtering Scheme

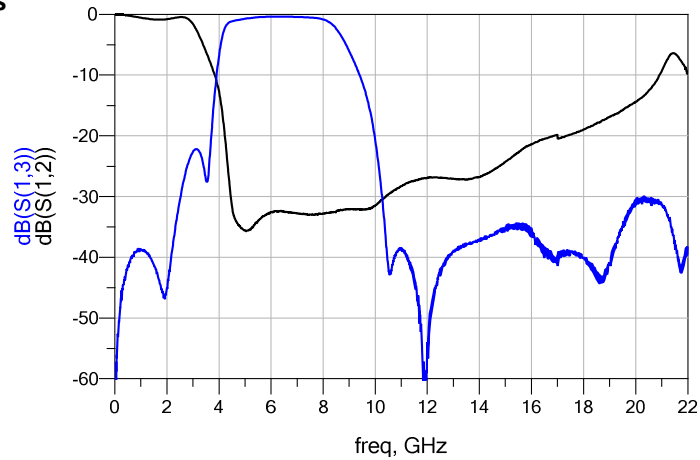
P/N 2450DP14A6100

Detail Specification: 4/28/2021

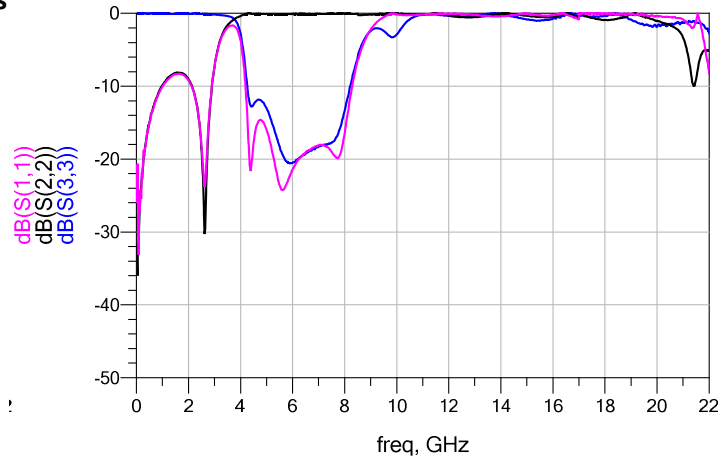
Page 3 of 4

Typical Electrical Characteristics (T=25 °C)

Insertion Loss



Return Loss



Johanson Technology, Inc. reserves the right to make design changes without notice.
All sales are subject to Johanson Technology, Inc. terms and conditions.



<https://www.johansontechnology.com>

4001 Calle Tecate • Camarillo, CA 93012 • TEL 805.389.1166 FAX 805.389.1821

Ver. 1.0

2021 Johanson Technology, Inc. All Rights Reserved

High Frequency Ceramic Solutions

Mini Passive RF Diplexer 2.5/6.1GHz for 802.11-WLAN-WiFi,
EIA 0603 with LPF/BPF Filtering Scheme

P/N 2450DP14A6100

Detail Specification: 4/28/2021

Page 4 of 4

Application Notes, Layout Files, and more

<https://www.johansontechnology.com/diplexers>

Packaging information

<https://www.johansontechnology.com/tape-reel-packaging>

Soldering Information

<https://www.johansontechnology.com/ipcsoldering-profile>

MSL Info

<https://www.johansontechnology.com/msl-rating>

Recommended Storage Condition and Max Shelf Life

<https://www.johansontechnology.com/recommended-storage-conditions>

RoHS Compliance

<https://www.johansontechnology.com/technical-notes/rohs-compliance>

Antenna layout and tuning techniques

<https://www.johansontechnology.com/tuning.html>

Antenna layout review, tuning, and characterization services

<https://www.johansontechnology.com/ipc-antenna-services>

Johanson Technology, Inc. reserves the right to make design changes without notice.
All sales are subject to Johanson Technology, Inc. terms and conditions.



<https://www.johansontechnology.com>
4001 Calle Tecate • Camarillo, CA 93012 • TEL 805.389.1166 FAX 805.389.1821
Ver. 1.0 2021 Johanson Technology, Inc. All Rights Reserved