

Application Legend & Bluetooth / Wi-Fi / Zigbee Applications

Antenna Selection Guide Tool

An easy to use, step-by-step tool to help you get the correct antenna chip part number, for your project design.

Legend

■ Application Type

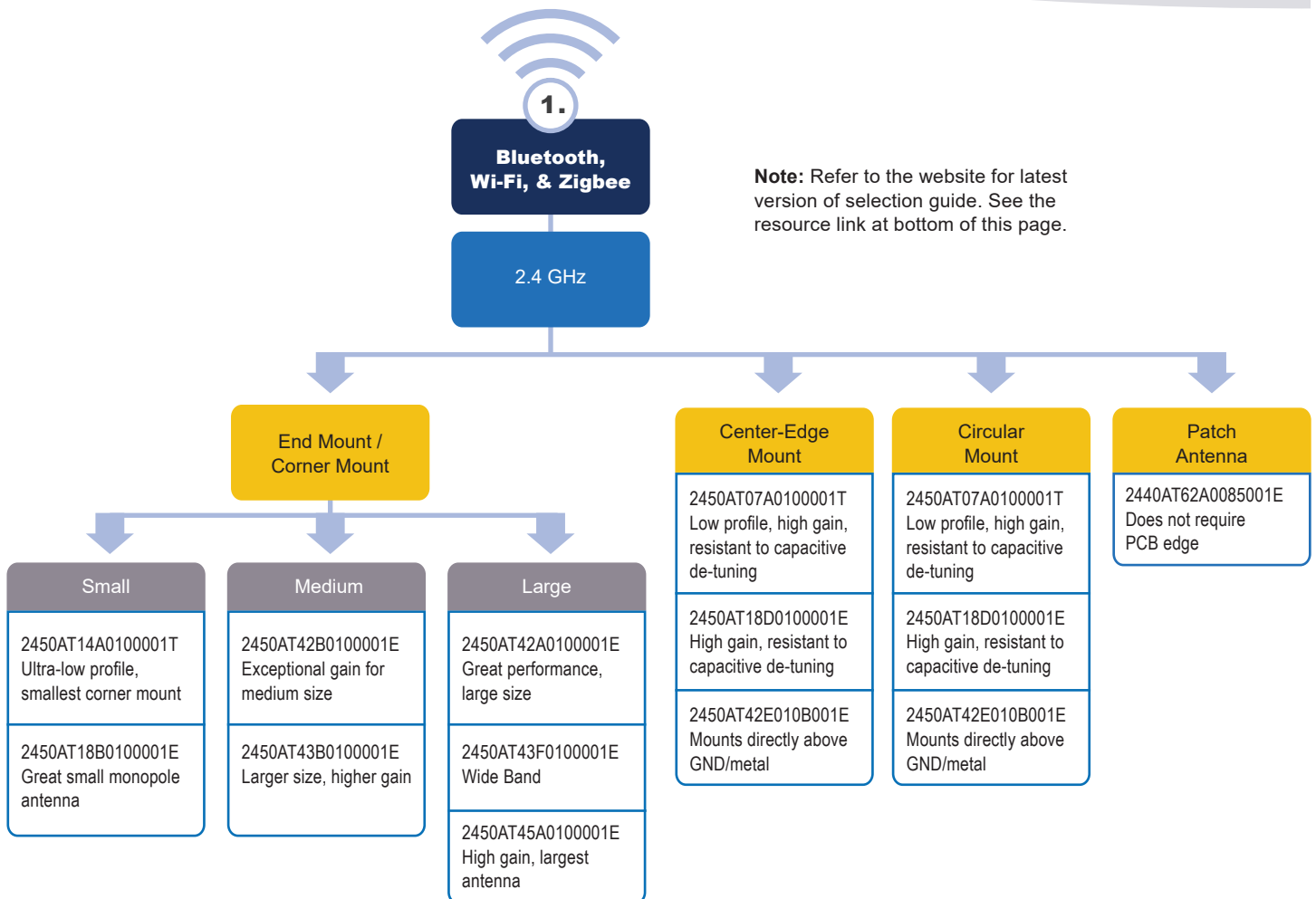
1. Bluetooth / Wi-Fi / Zigbee
2. Wi-Fi / UNII 1-3
3. GNSS
4. Sub-GHz ISM
5. Dual-Band
6. Ultra Wide-Band

■ Frequency

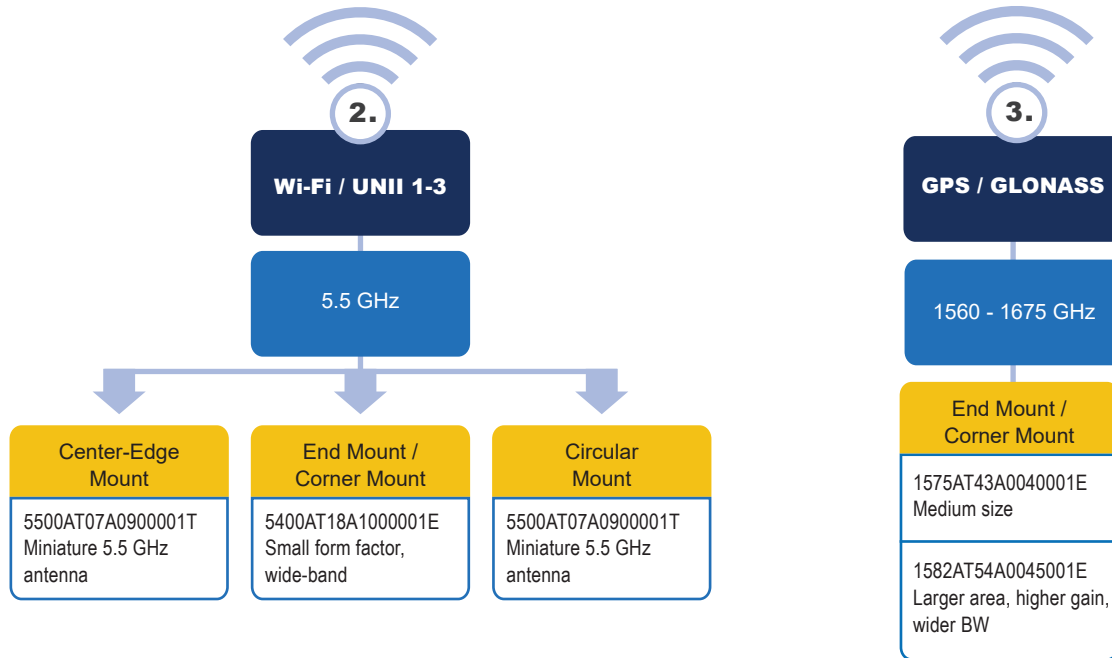
■ Mounting Location

■ Physical Size
Small / Medium / Large

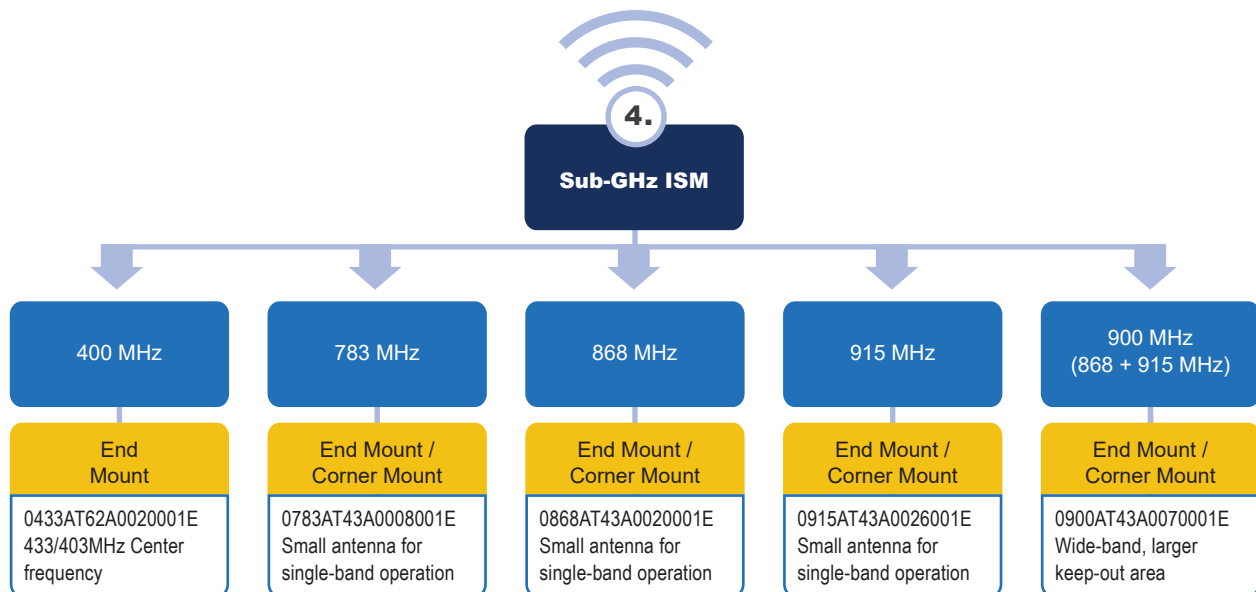
□ Part Number Description



Wi-Fi/UNII 1-3, GNSS, & Sub-GHz ISM



Note: Refer to the website for latest version of selection guide. See the resource link at bottom of this page.



Note: Refer to the website for latest version of selection guide

Dual-Band, & GNSS, Ultra Wide-Band Selections Applications

Note: Refer to the website for latest version of selection guide. See the resource link at bottom of this page.

