

High Frequency Ceramic Solutions

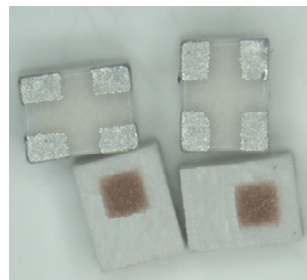
2.4GHz Micro Low Pass Filter, EIA 0202, SMD

P/N 2450LP05A0100

Detail Specification: 12/22/2021

Page 1 of 4

General Specifications	
Part Number	2450LP05A0100
Frequency (MHz)	2400 - 2500
Insertion Loss (dB)	0.45 max.
Return Loss (dB)	10 min.
Attenuation (dB)	
4800MHz - 5000MHz	35 min.
7200MHz - 7500MHz	35 min.



Power Capacity (W)	3 max. (CW)	Recommended Storage Conditions and Period for unused T&R product	+5 to +35°C
Operating Temperature	-40 to +85°C		Humidity 45 - 75% RH
Reel Quantity (pcs/reel)	10,000		18 months max.

Part Number Explanation

P/N Suffix	Packaging Style	Bulk	Suffix = S	E.g. 2450LP05A0100S
		T & R	Suffix = T	E.g. 2450LP05A0100T
	Termination Style		Suffix = None	E.g. 2450LP05A0100(S or T)
		Evaluation Board	50Ω SMA	Suffix = EB1SMA

Mechanical Dimensions

	In	mm
L	0.026 ± 0.004	0.65 ± 0.10
W	0.020 ± 0.004	0.50 ± 0.10
T	0.016 max.	0.40 max.
a	0.009 +0.004/-0.002	0.225 +0.1/-0.05
b	0.008 +0.004/-0.002	0.20 +0.1/-0.05
c	0.006 +0.004/-0.002	0.15 +0.1/-0.05
d	0.008 +0.004/-0.002	0.20 +0.1/-0.05

Terminal Configuration

No.	Function
1	IN/OUT
2	IN/OUT
3	GND
4	GND

Johanson Technology, Inc. reserves the right to make design changes without notice.

All sales are subject to Johanson Technology, Inc. terms and conditions.



Ver. 1.0

<https://www.johansontechnology.com>

4001 Calle Tecate • Camarillo, CA 93012, USA • TEL +1.805.389.1166

2021 Johanson Technology, Inc. All Rights Reserved

High Frequency Ceramic Solutions

2.4GHz Micro Low Pass Filter, EIA 0202, SMD

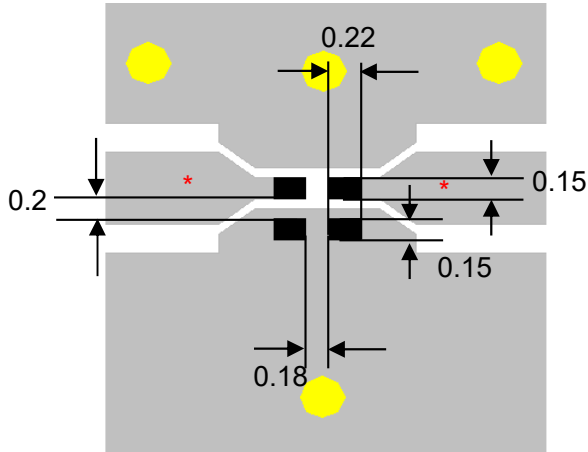
P/N 2450LP05A0100

Detail Specification: 12/22/2021

Page 2 of 4

Mounting Pad Dimensions

Units in mm



■ Solder Resist

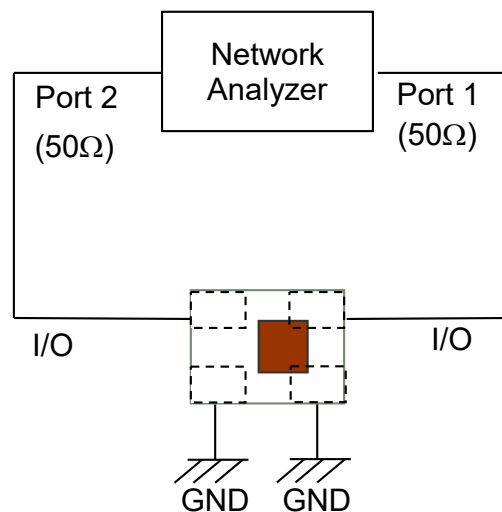
■ Land

● GND Via (ϕ 0.35)

*Transmission line width should be designed to match 50 Ω characteristic impedance, depending on PCB material and thickness.

Would you like the layout? Send us a message at: <https://www.johansontechnology.com/ask-a-question>

Measurement Schematic



Johanson Technology, Inc. reserves the right to make design changes without notice.

All sales are subject to Johanson Technology, Inc. terms and conditions.



Ver. 1.0

<https://www.johansontechnology.com>

4001 Calle Tecate • Camarillo, CA 93012, USA • TEL +1.805.389.1166

2021 Johanson Technology, Inc. All Rights Reserved

High Frequency Ceramic Solutions

2.4GHz Micro Low Pass Filter, EIA 0202, SMD

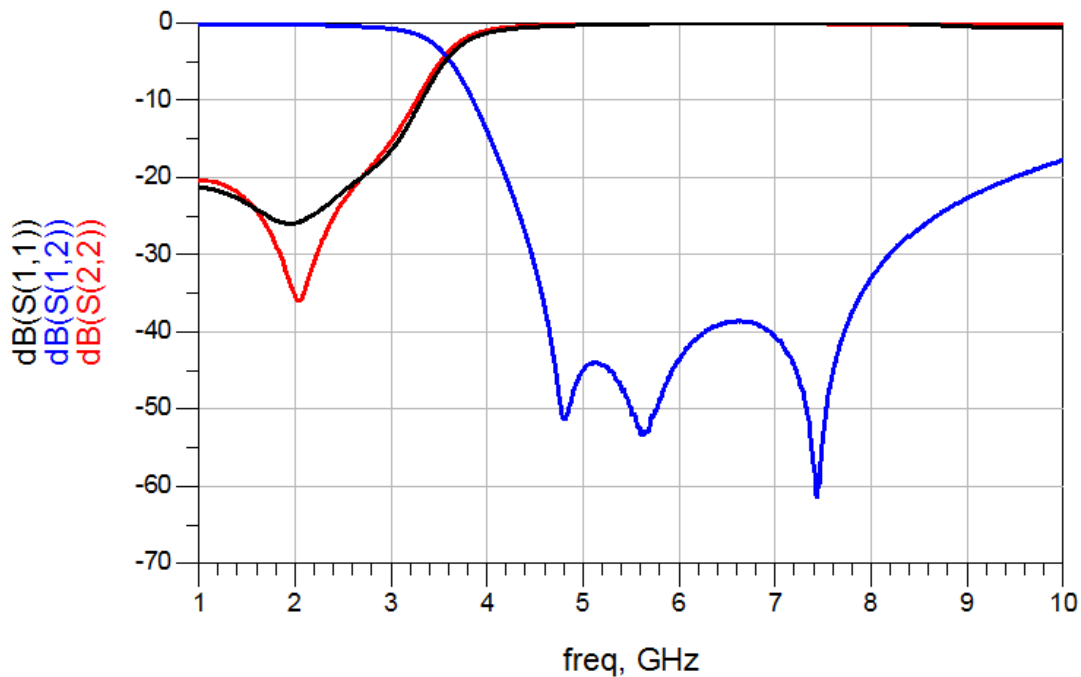
P/N 2450LP05A0100

Detail Specification: 12/22/2021

Page 3 of 4

Typical Electrical Characteristics (T=25°C)

Insertion Loss & Return loss



Do you need the S-parameter file of the above? Send us a message at:
<https://www.johansontechnology.com/ask-a-question>

Johanson Technology, Inc. reserves the right to make design changes without notice.

All sales are subject to Johanson Technology, Inc. terms and conditions.



Ver. 1.0

<https://www.johansontechnology.com>

4001 Calle Tecate • Camarillo, CA 93012, USA • TEL +1.805.389.1166

2021 Johanson Technology, Inc. All Rights Reserved

High Frequency Ceramic Solutions

2.4GHz Micro Low Pass Filter, EIA 0202, SMD

P/N 2450LP05A0100

Detail Specification: 12/22/2021

Page 4 of 4

Application Notes, Layout Files, and more

<https://www.johansontechnology.com/low-pass-filters>

Packaging information

<https://www.johansontechnology.com/tape-reel-packaging>

Soldering Information

<https://www.johansontechnology.com/ipcsoldering-profile>

MSL Info

<https://www.johansontechnology.com/msl-rating>

Recommended Storage Condition and Max Shelf Life

<https://www.johansontechnology.com/recommended-storage-conditions>

RoHS Compliance

<https://www.johansontechnology.com/rohs-compliance>

Antenna layout and tuning techniques

<https://www.johansontechnology.com/tuning>

Antenna layout review, tuning, and characterization services

<https://www.johansontechnology.com/ipc-antenna-services>

Johanson Technology, Inc. reserves the right to make design changes without notice.

All sales are subject to Johanson Technology, Inc. terms and conditions.



Ver. 1.0

<https://www.johansontechnology.com>

4001 Calle Tecate • Camarillo, CA 93012, USA • TEL +1.805.389.1166

2021 Johanson Technology, Inc. All Rights Reserved