

High Frequency Ceramic Solutions

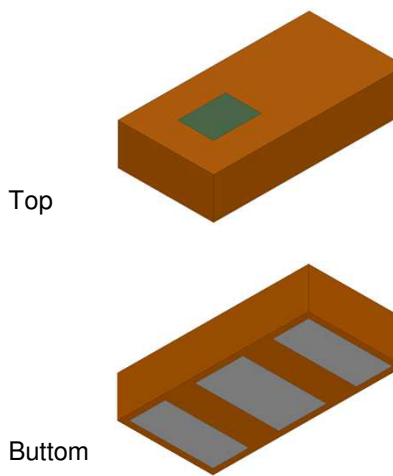
3.75GHz Band Pass Filter, EIA 0603, SMD, Low Loss and High Attenuation

P/N 3750BP14D0900

Detail Specification: 5/26/2021

Page 1 of 4

General Specifications	
Part Number	3750BP14D0900
Frequency (MHz)	3300 - 4200
Insertion loss (dB)	1.35 typ. (1.7 max.)
Return Loss (dB)	13 typ. (10 min.)
Power Capacity (W)	3 max. (CW)
Operating Temperature	-40 to +105°C
Reel Quantity (pcs/reel)	4,000
Attenuation (dB)	
100 - 2570 MHz	47 typ. (35 min.)
2170 MHz	49 typ. (40 min.)
2620 - 2690 MHz	28 typ. (25 min.)
5150 - 5950 MHz	26 typ. (20 min.)
6600 - 8400 MHz	35 typ. (27 min.)
9900 - 12600 MHz	33 typ. (27 min.)
Recommended Storage Conditions and Period for unused Product on T&R	+5 to +35°C Humidity 45 - 75% RH 18 months max.*



*18 months in vacuum sealed bag and 1 week after opened. Please keep unused parts in vacuum sealed bags.

For more info on handling and soldering profile, go to: <https://www.johansontechnology.com/index.php/silverleads-profile>

Part Number Explanation				
P/N Suffix	Packaging Style	Bulk	Suffix = S	e.g. 3750BP14D0900S
		T & R	Suffix = T	e.g. 3750BP14D0900T
	Termination Style	Ag/Pt	Suffix = None	e.g. 3750BP14D0900(S or T)
	Evaluation Board	50Ω SMA	Suffix = EB1SMA	e.g. 3750BP14D0900-EB1SMA

Mechanical Dimensions		
	In	mm
L	0.063 ± 0.004	1.60 ± 0.10
W	0.031 ± 0.004	0.80 ± 0.10
T	0.014 max.	0.35 max.
a	0.012 ± 0.004	0.30 ± 0.10
b	0.016 ± 0.004	0.40 ± 0.10
c	0.024 ± 0.004	0.60 ± 0.10
d	0.028 ± 0.004	0.70 ± 0.10

Terminal Configuration	
No.	Function
1	IN/OUT
2	GND
3	IN/OUT

Johanson Technology, Inc. reserves the right to make design changes without notice.

All sales are subject to Johanson Technology, Inc. terms and conditions.



<https://www.johansontechnology.com>

4001 Calle Tecate • Camarillo, CA 93012, USA • TEL +1.805.389.1166

Ver. 1.1

2021 Johanson Technology, Inc. All Rights Reserved

High Frequency Ceramic Solutions

3.75GHz Band Pass Filter, EIA 0603, SMD, Low Loss and High Attenuation

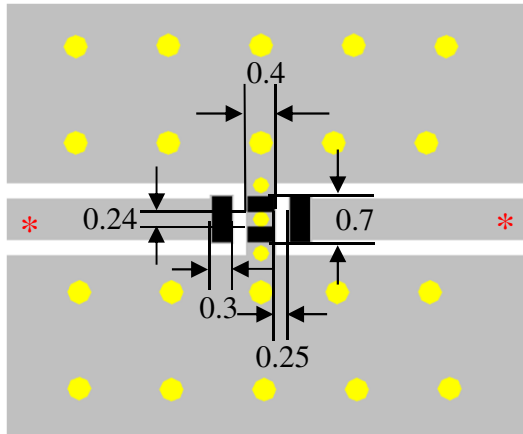
P/N 3750BP14D0900

Detail Specification: 5/26/2021

Page 2 of 4

Mounting Pad Dimensions

Units in mm



■ Solder Resist

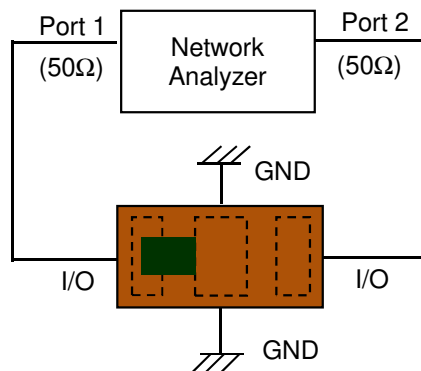
■ Land

● GND Via (ϕ 0.35, 0.23)

*Transmission line width should be designed to match 50 Ω characteristic impedance, depending on PCB material and thickness.

Would you like the layout? Send us a message at: <https://www.johansontechnology.com/ask-a-question>

Measurement Schematic



Port 1: Filter IN/OUT
Port 2: Filter IN/OUT

Johanson Technology, Inc. reserves the right to make design changes without notice.

All sales are subject to Johanson Technology, Inc. terms and conditions.



Ver. 1.1

<https://www.johansontechnology.com>

4001 Calle Tecate • Camarillo, CA 93012, USA • TEL +1.805.389.1166

2021 Johanson Technology, Inc. All Rights Reserved

High Frequency Ceramic Solutions

3.75GHz Band Pass Filter, EIA 0603, SMD, Low Loss and High Attenuation

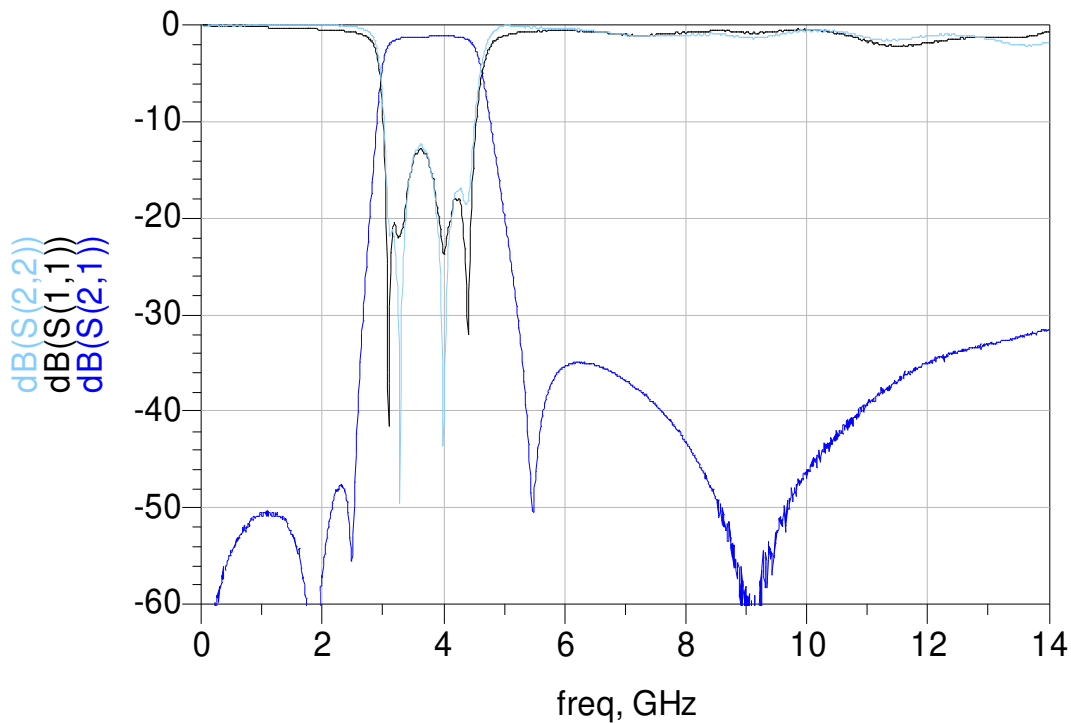
P/N 3750BP14D0900

Detail Specification: 5/26/2021

Page 3 of 4

Typical Electrical Characteristics (T=25°C)

Insertion Loss & Return loss



Do you need the S-parameter file of the above? Send us a message at:

<https://www.johansontechnology.com/ask-a-question>

Johanson Technology, Inc. reserves the right to make design changes without notice.

All sales are subject to Johanson Technology, Inc. terms and conditions.



Ver. 1.1

<https://www.johansontechnology.com>

4001 Calle Tecate • Camarillo, CA 93012, USA • TEL +1.805.389.1166

2021 Johanson Technology, Inc. All Rights Reserved

High Frequency Ceramic Solutions

3.75GHz Band Pass Filter, EIA 0603, SMD, Low Loss and High Attenuation

P/N 3750BP14D0900

Detail Specification: 5/26/2021

Page 4 of 4

Application Notes, Layout Files, and more

<https://www.johansontechnology.com/band-pass-filters>

Packaging information

<https://www.johansontechnology.com/tape-reel-packaging>

Soldering Information

<https://www.johansontechnology.com/ipcsoldering-profile>

MSL Info

<https://www.johansontechnology.com/msl-rating>

Recommended Storage Condition and Max Shelf Life

<https://www.johansontechnology.com/recommended-storage-conditions>

RoHS Compliance

<https://www.johansontechnology.com/rohs-compliance>

Antenna layout and tuning techniques

<https://www.johansontechnology.com/tuning>

Antenna layout review, tuning, and characterization services

<https://www.johansontechnology.com/ipc-antenna-services>

Johanson Technology, Inc. reserves the right to make design changes without notice.

All sales are subject to Johanson Technology, Inc. terms and conditions.



Ver. 1.1

<https://www.johansontechnology.com>

4001 Calle Tecate • Camarillo, CA 93012, USA • TEL +1.805.389.1166

2021 Johanson Technology, Inc. All Rights Reserved