

High Frequency Ceramic Solutions

5.5 GHz Low Pass Filter for WiFi, WLAN Applications

P/N 5515LP15A730

Detail Specification: 3/13/2019

Page 1 of 3

Not exactly what you are looking for and want to see our other filters? Go to: <https://www.johansontechnology.com/integrated-passives>

General Specifications

Part Number	5515LP15A730
Frequency Range	5150 - 5875
Operating Temp. Range	-40 to +85 °C
Recommended Storage Conditions for uninstalled product still on T&R	+5 to +35 °C, Humidity 45~75%RH 18 months max.
Qty/Reel (pcs)	4,000



Electrical Specifications

Operating Temp	-40C to +85°C
Insertion Loss @ BW (dB)	0.45 typ. (0.60 dB max.)
Attenuation 1 (db)	36 typ. (25dB min) @ 2Fo (10.3-11.75GHz)
Attenuation 2 (db)	23 typ. (20dB ref. @ 3Fo (15.45-17.75GHz)
VSWR	1.24 typ. (2.0 max.)
Power Capacity	2W max. (CW)

Mechanical Dimensions

	In	mm
L	0.079 ± 0.004	2.00 ± 0.10
W	0.049 ± 0.004	1.25 ± 0.10
T	0.033 ± 0.004	0.85 ± 0.10
a	0.012 ± 0.004	0.30 ± 0.10
b	0.008 +.004/-.006	0.20 +0.1/-0.15
c	0.012 ± 0.004	0.30 ± 0.10
g	0.014 ± 0.004	0.35 ± 0.10
p	0.026 ± 0.002	0.65 ± 0.05

Terminal Configuration

No.	Function
1	GND
2	NC
3	GND
4	I/O
5	GND
6	NC
7	GND
8	I/O

Mounting Considerations

- Solder Resist
- Land
- RF GND Vias Through-hole (φ0.3)

*Trace must be designed to a 50Ω characteristic impedance based on PCB material and thickness. Grounded CPW transmission line is recommended.

Want the layout file or need us to revise your layout to make sure is correct?
Send us a message at:
<https://www.johansontechnology.com/ask-a-question>



<https://www.johansontechnology.com>

4001 Calle Tecate • Camarillo, CA 93012 • TEL 805.389.1166 FAX 805.389.1821

Ver. 2.0

2019 Johanson Technology, Inc. All Rights Reserved

High Frequency Ceramic Solutions

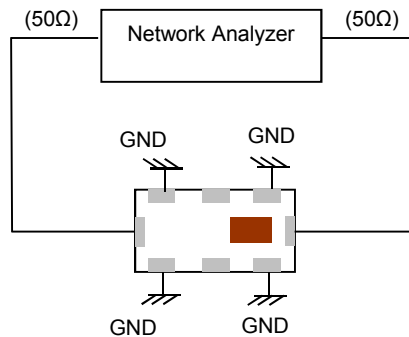
5.5 GHz Low Pass Filter for WiFi, WLAN Applications

P/N 5515LP15A730

Detail Specification: 3/13/2019

Page 2 of 3

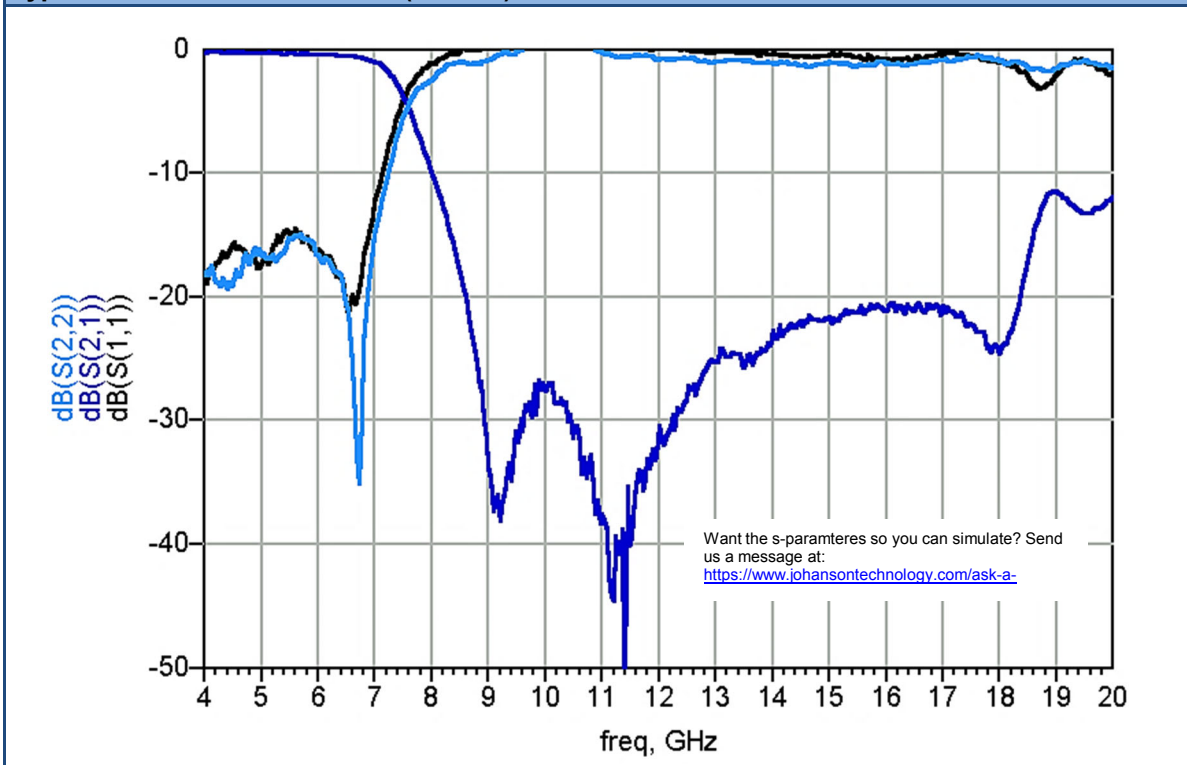
Measuring Diagram



Click here Order the SMA-ready Evaluation Board p/n 5515LP15A730-EBSMA:

<https://www.johansontechnology.com/request-a-sample>

Typical Electrical Performance (T=25°C)



Johanson Technology, Inc. reserves the right to make design changes without notice.
All sales are subject to Johanson Technology, Inc. terms and conditions.



<https://www.johansontechnology.com>

4001 Calle Tecate • Camarillo, CA 93012 • TEL 805.389.1166 FAX 805.389.1821

Ver. 2.0

2019 Johanson Technology, Inc. All Rights Reserved

High Frequency Ceramic Solutions

5.5 GHz Low Pass Filter for WiFi, WLAN Applications

P/N 5515LP15A730

Detail Specification: 3/13/2019

Page 3 of 3

Part Number Explanation

P/N Suffix	Packing Style	Bulk	Suffix = S	5515LP15A730S
		T & R	Suffix = E	5515LP15A730E
	50Ω SMA Connector Eval Board		5515LP15A730-EBSMA (orderable p/n)	

Packaging information

<https://www.johansontechnology.com/tape-reel-packaging>

Soldering Information

<https://www.johansontechnology.com/ipcsoldering-profile>

RoHS Compliance

<https://www.johansontechnology.com/rohs-compliance>

MSL Info

<https://www.johansontechnology.com/msl-rating>

To Download Measured S-parameters for Evaluation and Simulation:

<https://www.johansontechnology.com/low-pass-filters>

For layout review, s-params, etc., please contact our Applications Team at:

<https://www.johansontechnology.com/ask-a-question>

Mini SMD Chip Antennas at:

<https://www.johansontechnology.com/antennas>

Johanson Technology, Inc. reserves the right to make design changes without notice.
All sales are subject to Johanson Technology, Inc. terms and conditions.



<https://www.johansontechnology.com>
4001 Calle Tecate • Camarillo, CA 93012 • TEL 805.389.1166 FAX 805.389.1821
Ver. 2.0 2019 Johanson Technology, Inc. All Rights Reserved