

# High Frequency Ceramic Solutions

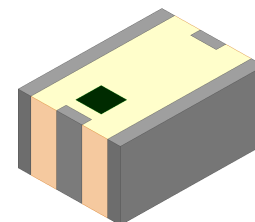
5.53GHz Band Pass Filter, UNII-1 to UNII-4 , Low Loss and High Attenuation

P/N 5532BP44A0725

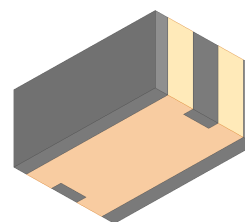
Detail Specification: 1/28/2022

Page 1 of 4

General Specifications					
Part Number	5532BP44A0725				
Frequency Range (MHz)	5170 - 5815	5815 - 5825	5825 - 5835	5835 - 5850	5850 - 5895
Insertion loss (dB)	2.0 max.	2.1 max.	2.2 max.	2.4 max.	2.8 max.
Ripple (dB)	1.5 max.	0.5 max.	0.5 max.	0.5 max.	1.0 max.
Return Loss (dB)	9.5 min.				
Attenuation (dB)	30 min. @ 30 - 1700 MHz				
	30 min. @ 1727 - 1935 MHz				
	30 min. @ 2400 - 2500 MHz				
	15 min. @ 3453 - 3870 MHz				
	30 min. @ 6105 - 6145 MHz				
	45 min. @ 6145 - 7125 MHz				
	45 min. @ 7235 - 7250 MHz				
	45 min. @ 7250 - 7740 MHz				
Power Capacity (W)	3 max. (CW)		Recommended Storage Conditions and Period for unused Product on T&R		+5 to +35°C
	-40 to +85°C				Humidity 45 - 75% RH
Reel Quantity (pcs./reel)	1,000				18 months max.



Top



Bottom

You can download measured s-parameters of this component at: <https://www.johansontechnology.com/band-pass-filters>

Part Number Explanation				
P/N Suffix	Packaging Style	Bulk (loose pcs.)	Suffix = S	E.g. 5532BP44A0725S
		T & R	Suffix = E	E.g. 5532BP44A0725E
	Evaluation Board	50Ω SMA	Suffix = EB1SMA	E.g. 5532BP44A0725-EB1SMA

Mechanical Dimensions		
	In	mm
L	0.177 ± 0.008	4.50 ± 0.20
W	0.126 ± 0.008	3.20 ± 0.20
T	0.087 max.	2.20 max.
a	0.016 ± 0.008	0.40 ± 0.20
b	0.031 ± 0.008	0.80 ± 0.20
c	0.012 ± 0.006	0.30 ± 0.15

Terminal Configuration	
No.	Function
1	GND
2	INPUT / OUTPUT
3	GND
4	INPUT / OUTPUT

Johanson Technology, Inc. reserves the right to make design changes without notice.

All sales are subject to Johanson Technology, Inc. terms and conditions.



Ver. 1.0

<https://www.johansontechnology.com>

4001 Calle Tecate • Camarillo, CA 93012, USA • TEL +1.805.389.1166

2022 Johanson Technology, Inc. All Rights Reserved

# High Frequency Ceramic Solutions

5.53GHz Band Pass Filter, UNII-1 to UNII-4 , Low Loss and High Attenuation

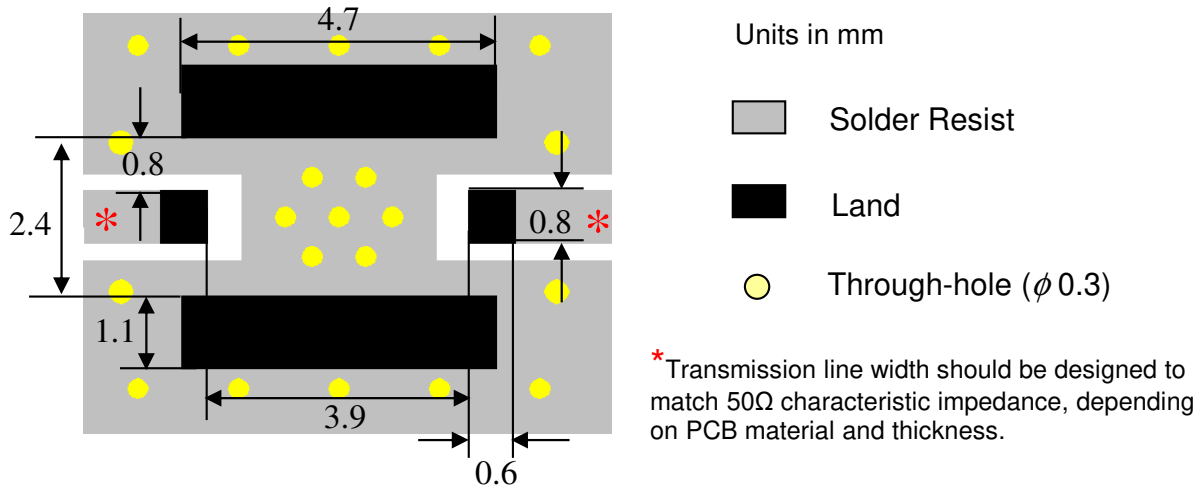
P/N 5532BP44A0725

Detail Specification: 1/28/2022

Page 2 of 4

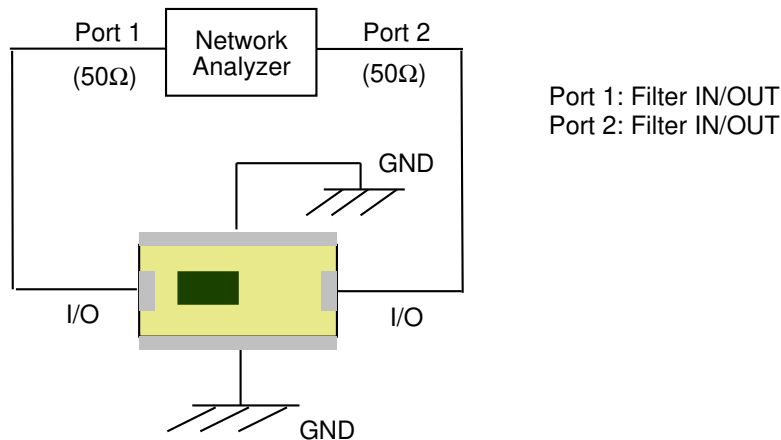
## Mounting Considerations

Mount these devices with green mark facing up.



Would you like the layout? Send us a message at: <https://www.johansontechnology.com/ask-a-question>

## Measuring Diagram



Johanson Technology, Inc. reserves the right to make design changes without notice.

All sales are subject to Johanson Technology, Inc. terms and conditions.



Ver. 1.0

<https://www.johansontechnology.com>

4001 Calle Tecate • Camarillo, CA 93012, USA • TEL +1.805.389.1166

2022 Johanson Technology, Inc. All Rights Reserved

# High Frequency Ceramic Solutions

5.53GHz Band Pass Filter, UNII-1 to UNII-4 , Low Loss and High Attenuation

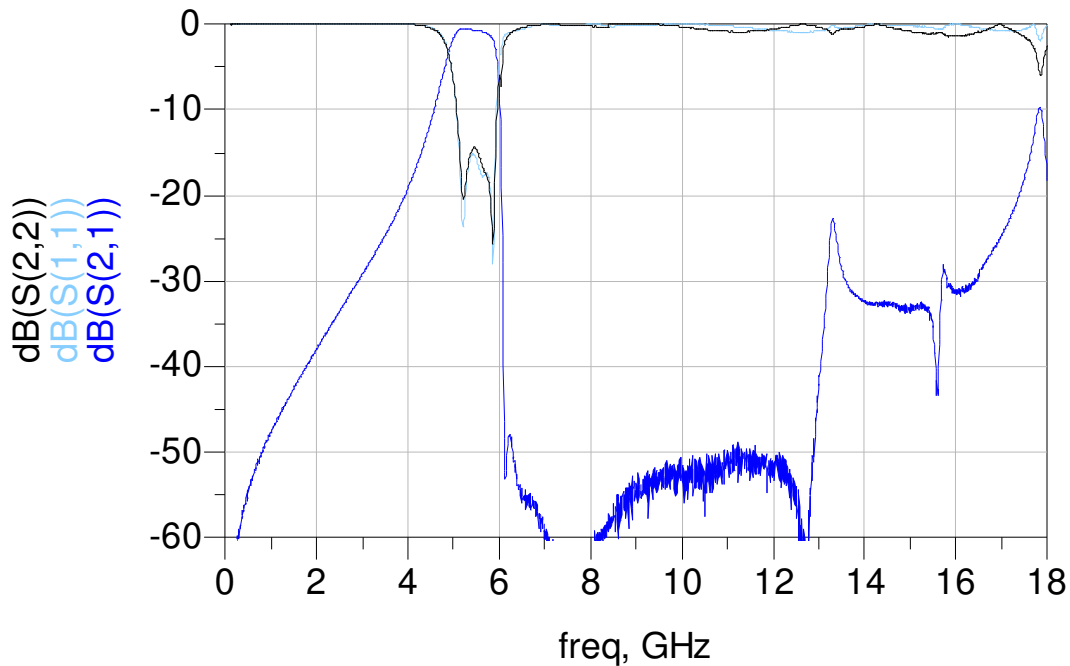
P/N 5532BP44A0725

Detail Specification: 1/28/2022

Page 3 of 4

## Typical Electrical Characteristics (T=25°C)

### Insertion Loss & Return loss



Do you need the S-parameter file of the above? Send us a message at:  
<https://www.johansontechnology.com/ask-a-question>

Johanson Technology, Inc. reserves the right to make design changes without notice.

All sales are subject to Johanson Technology, Inc. terms and conditions.



Ver. 1.0

<https://www.johansontechnology.com>

4001 Calle Tecate • Camarillo, CA 93012, USA • TEL +1.805.389.1166

2022 Johanson Technology, Inc. All Rights Reserved

# High Frequency Ceramic Solutions

5.53GHz Band Pass Filter, UNII-1 to UNII-4 , Low Loss and High Attenuation

P/N 5532BP44A0725

Detail Specification: 1/28/2022

Page 4 of 4

## Application Notes, Layout Files, and more

<https://www.johansontechnology.com/band-pass-filters>

## Packaging information

<https://www.johansontechnology.com/tape-reel-packaging>

## Soldering Information

<https://www.johansontechnology.com/ipcsoldering-profile>

## MSL Info

<https://www.johansontechnology.com/msl-rating>

## Recommended Storage Condition and Max Shelf Life

<https://www.johansontechnology.com/recommended-storage-conditions>

## RoHS Compliance

<https://www.johansontechnology.com/rohs-compliance>

## Antenna layout and tuning techniques

<https://www.johansontechnology.com/tuning>

## Antenna layout review, tuning, and characterization services

<https://www.johansontechnology.com/ipc-antenna-services>

Johanson Technology, Inc. reserves the right to make design changes without notice.

All sales are subject to Johanson Technology, Inc. terms and conditions.



Ver. 1.0

<https://www.johansontechnology.com>

4001 Calle Tecate • Camarillo, CA 93012, USA • TEL +1.805.389.1166

2022 Johanson Technology, Inc. All Rights Reserved