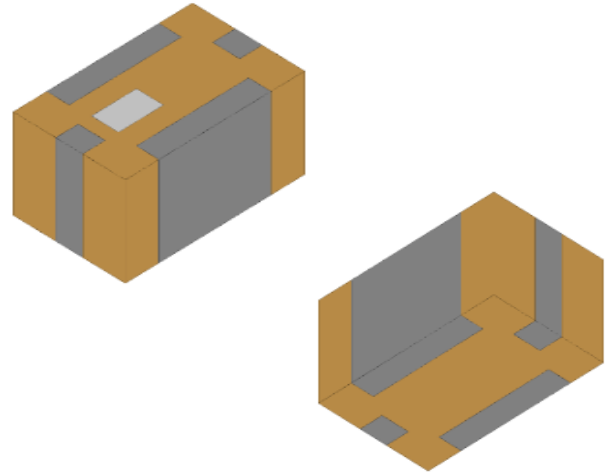


2.5 GHz Band Pass Filter

- 2300 - 2690 MHz passband
- Fit for wireless communication systems: Bluetooth, WLAN, Hyper-LAN, etc.
- Low insertion loss
- High out-of-band rejection
- SMD, EIA 0805
- RoHS complaint



General Specifications^{1 2}

Insertion Loss (dB)	2300 - 2690 MHz	2.0 Max.
Return Loss (dB)	2300 - 2690 MHz	9.5 Min.
Attenuation (dB)	100 - 1800 MHz	15 Min.
	3400 - 11700 MHz	20 Min.

Maximum Ratings

Power Capacity (W)	3 Max. (CW)
Operating Temperature (°C)	-40 to +85
Recommended Storage Conditions post-installation (°C)	-40 to +85
Recommended Storage Conditions and Period for Unused T&R Product ³	45% - 75% RH +5 to +35 °C 18 Months Max.

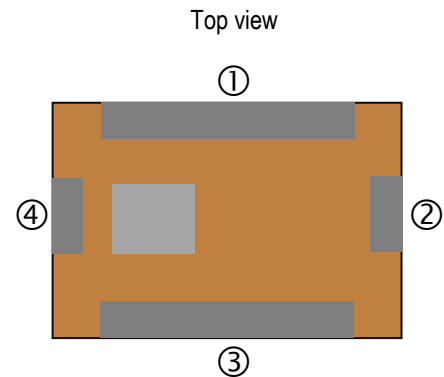
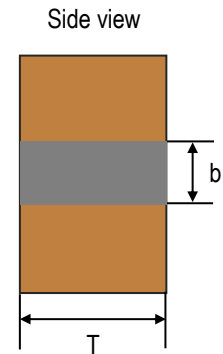
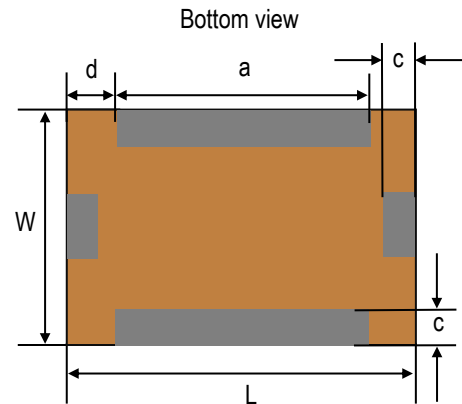
¹ Typical value represents average measurement at 25°C. Min./Max. values represent measurements over specified operating temperature.

² General specifications measured on Johanson's evaluation board P/N 2500BP15M0400001CE1.

³ 18 months max. in vacuum sealed bag and 1 week after opened. Please keep unused parts in vacuum sealed bags. For more info go to <https://www.johansontechnology.com/tech-notes/silver-leaded-components-soldering-profile>.

Mechanical Dimensions

	Inches			Millimeters		
L	0.079	±	0.006	2.00	±	0.15
W	0.049	±	0.004	1.25	±	0.10
T	0.037	±	0.004	0.95	±	0.10
a	0.049	±	0.006	1.25	±	0.15
b	0.012	±	0.006	0.30	±	0.15
c	0.010	±	0.005	0.25	±	0.13
d	0.014	±	0.006	0.35	±	0.15



Terminal Configuration⁴

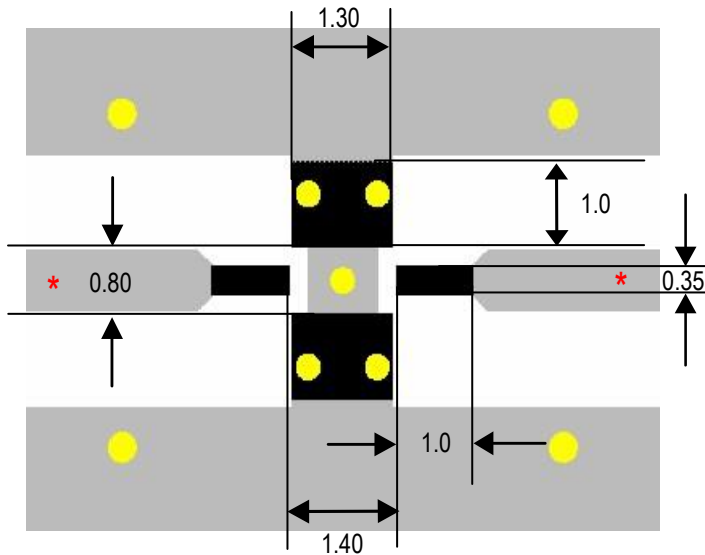
Pin Number	Function
1	GND
2	INPUT/OUTPUT
3	GND
4	INPUT/OUTPUT

⁴ The termination type is Silver. Go to <https://www.johansontechnology.com/tech-notes/silver-leaded-components-soldering-profile> for Typical Soldering Profile. SAC 305 solder paste recommended.



Recommended PCB Layout

Note: Mount device with colored mark facing up.



Units in mm

Solder Resist

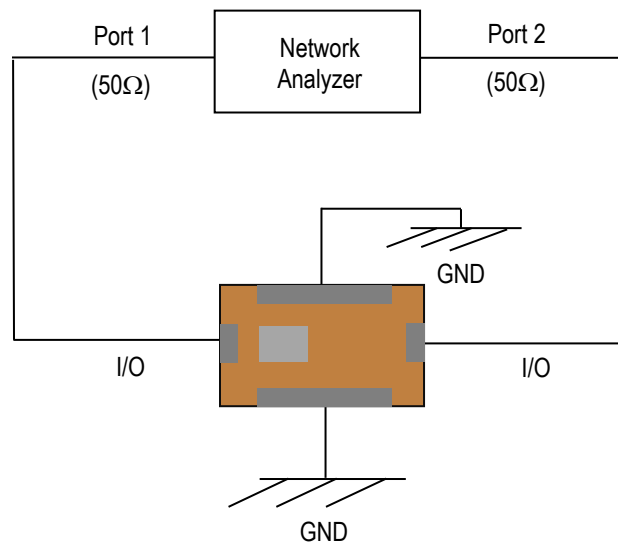
Land

Through-hole (ϕ 0.35)

* Transmission line width should be designed to match 50 Ω characteristic impedance, depending on PCB material and thickness.

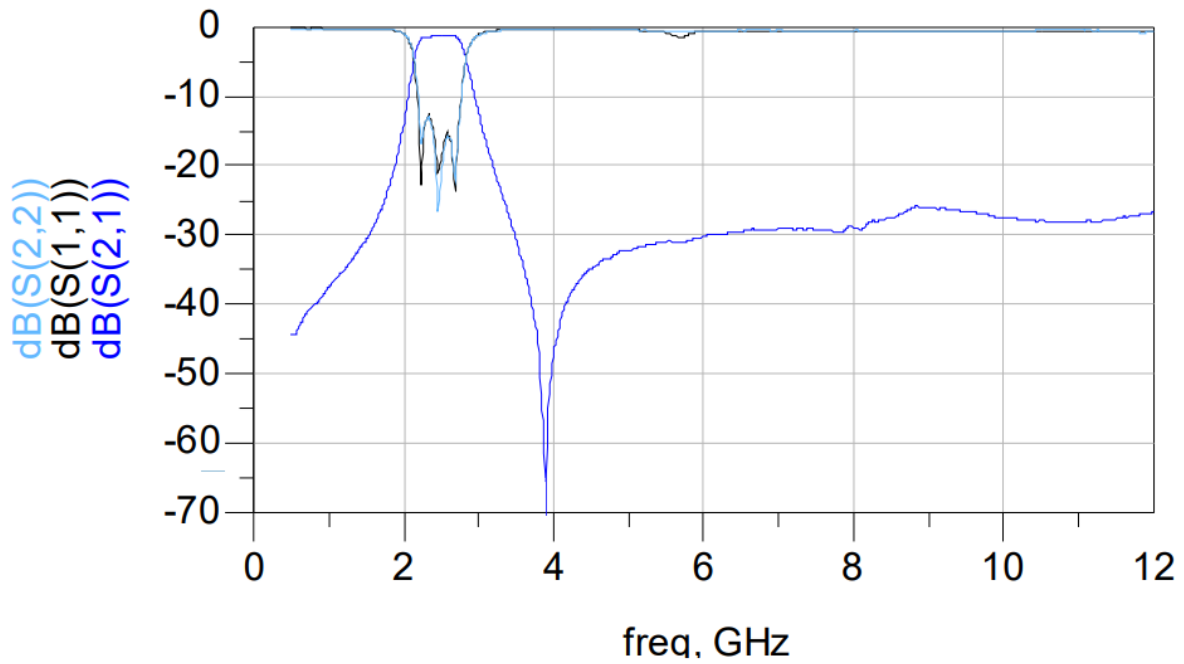
If you'd like the CAD PCB layout or have any questions, contact our application engineers at <https://www.johansontechnology.com/ask-a-question>

Measuring Diagram



RF Measurement (T = 25°C)

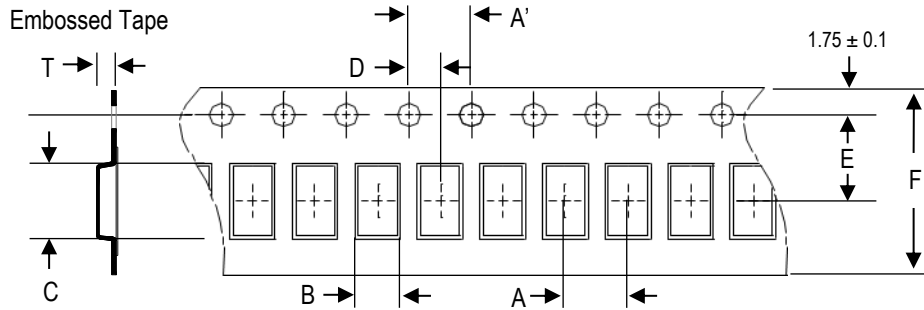
Insertion Loss, Return Loss and Attenuation



S-parameters, layout file, and complimentary design review are available upon request. Contact our application engineers at <https://www.johansontechnology.com/ask-a-question>

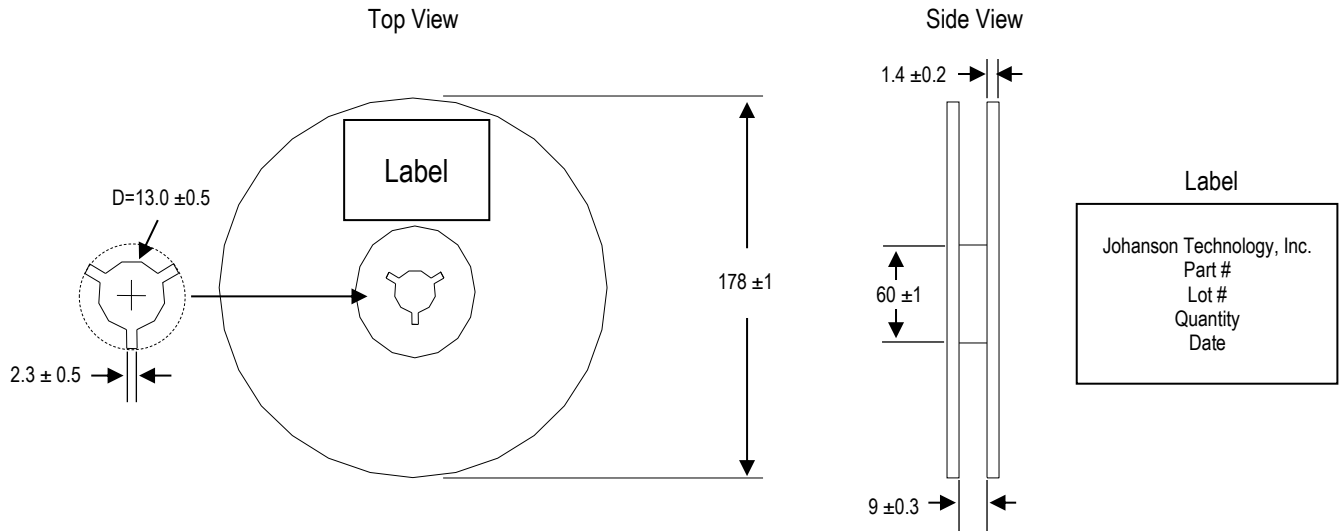
Tape and Reel Specification (Units in mm)

Tape Dimensions

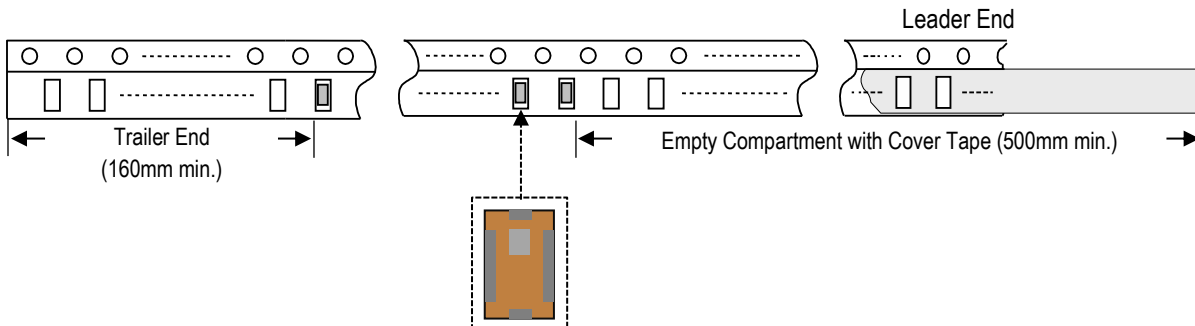


A	A'	B	C	D	E	F	T	Quantity/reel	Tape material
4.0 ±0.1	4.0 ±0.1	1.35 ±0.05	2.15 ±0.05	2.0 ±0.05	3.5 ±0.1	8.0 ±0.1	1.08 ±0.05	4,000 pcs.	Plastic (Embossed)

Reel Dimensions



Leader and Trailer Dimensions



Orderable Part Number

Packaging Style	Part Number	Termination
Bulk (loose pcs.)	2500BP15M040001B	Silver
T & R (7" Reel Embossed Tape)	2500BP15M040001E (Qty: 4,000 pcs./reel)	
Evaluation Board with 2 SMA Connectors	2500BP15M040001CE1	

Important Links

[2500BP15M040001E Product Page](#)

[More Band Pass Filters](#)

[Antenna Tuning, Optimization, and Validation Services](#)

[Soldering Information](#)

[MSL Information](#)

[Packaging Information](#)

[Recommended Storage Condition and Max Shelf Life](#)

[RoHS Compliance](#)

Johanson Technology, Inc. reserves the right to make design changes without notice.

All sales are subject to Johanson Technology, Inc. terms and conditions.