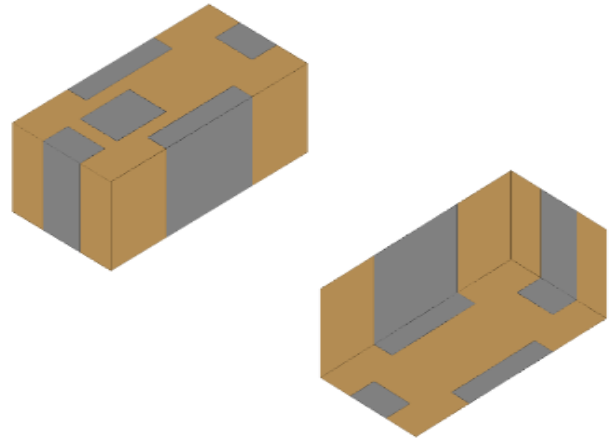


## 2.6 GHz Band Pass Filter

- 2500 - 2700 MHz passband
- Fit for wireless communication systems: WiMAX
- Low insertion loss
- High out-of-band rejection
- SMD, EIA 0603
- RoHS complaint



### General Specifications<sup>1 2</sup>

Insertion Loss (dB)	2500 - 2700 MHz	2.2 Typ.	2.5 Max.
Return Loss (dB)	2500 - 2700 MHz		9.5 Min.
Attenuation (dB)	806 - 915 MHz		30 Min.
	1710 - 1785 MHz		30 Min.
	1850 - 1910 MHz		30 Min.
	1920 - 1980 MHz		30 Min.
	3300 - 3900 MHz		13 Min.
	4900 - 5900 MHz		20 Min.

### Maximum Ratings

Power Capacity (W)	0.5 Max. (CW)
Operating Temperature (°C)	-40 to +85
Recommended Storage Conditions post-installation (°C)	-40 to +85
Recommended Storage Conditions and Period for Unused T&R Product <sup>3</sup>	45% - 75% RH +5 to +35 °C 18 Months Max.

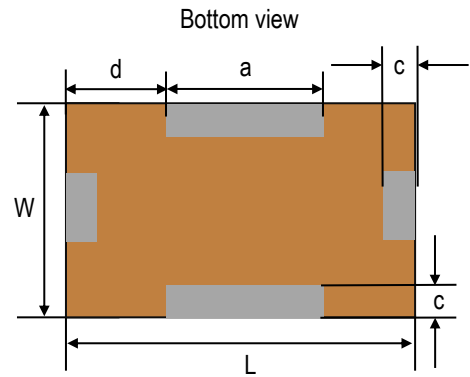
<sup>1</sup> Typical value represents average measurement at 25°C. Min./Max. values represent measurements over specified operating temperature.

<sup>2</sup> General specifications measured on Johanson's evaluation board P/N 2600BP14M0200001CE1.

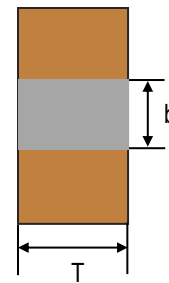
<sup>3</sup> 18 months max. in vacuum sealed bag and 1 week after opened. Please keep unused parts in vacuum sealed bags. For more info go to <https://www.johansontechnology.com/tech-notes/silver-leaded-components-soldering-profile>.

**Mechanical Dimensions**

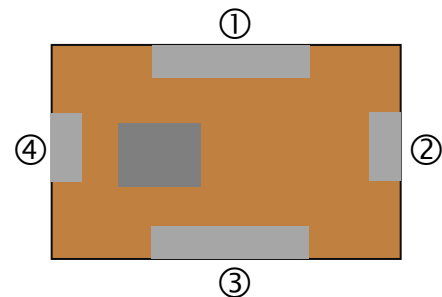
	Inches			Millimeters		
<b>L</b>	0.063	±	0.004	1.60	±	0.10
<b>W</b>	0.031	±	0.004	0.80	±	0.10
<b>T</b>	0.022	±	0.004	0.55	±	0.10
<b>a</b>	0.028	±	0.006	0.70	±	0.15
<b>b</b>	0.012	±	0.004	0.30	±	0.10
<b>c</b>	0.006	±	0.004	0.15	±	0.10
<b>d</b>	0.018	±	0.006	0.45	±	0.15



Side view



Top view



**Terminal Configuration<sup>4</sup>**

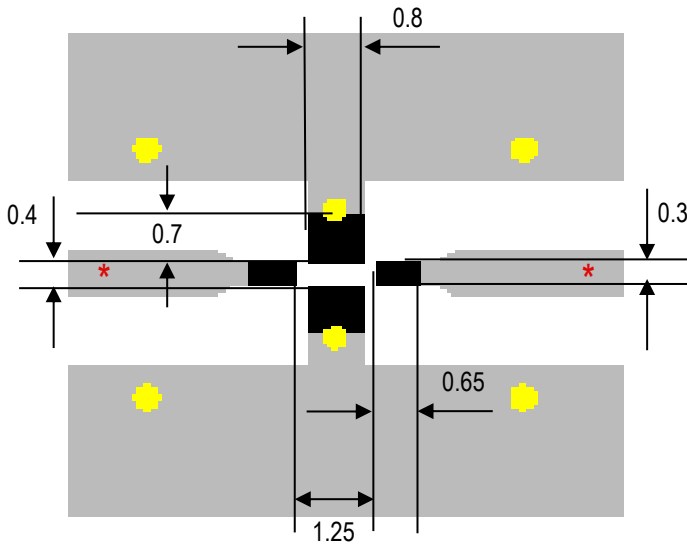
Pin Number	Function
1	GND
2	INPUT/OUTPUT
3	GND
4	INPUT/OUTPUT

<sup>4</sup> The termination type is Silver. Go to <https://www.johansontechnology.com/tech-notes/silver-leded-components-soldering-profile> for Typical Soldering Profile. SAC 305 solder paste recommended.



**Recommended PCB Layout**

Note: Mount device with colored mark facing up.



Units in mm

Solder Resist

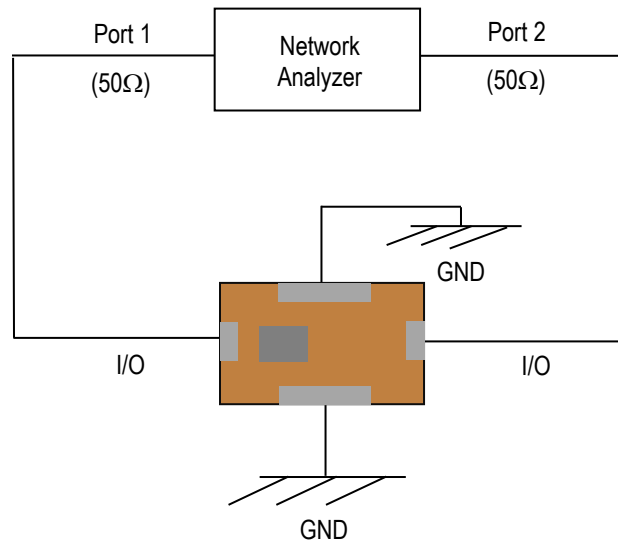
Land

Through-hole ( $\phi$  0.35)

\* Transmission line width should be designed to match 50Ω characteristic impedance, depending on PCB material and thickness.

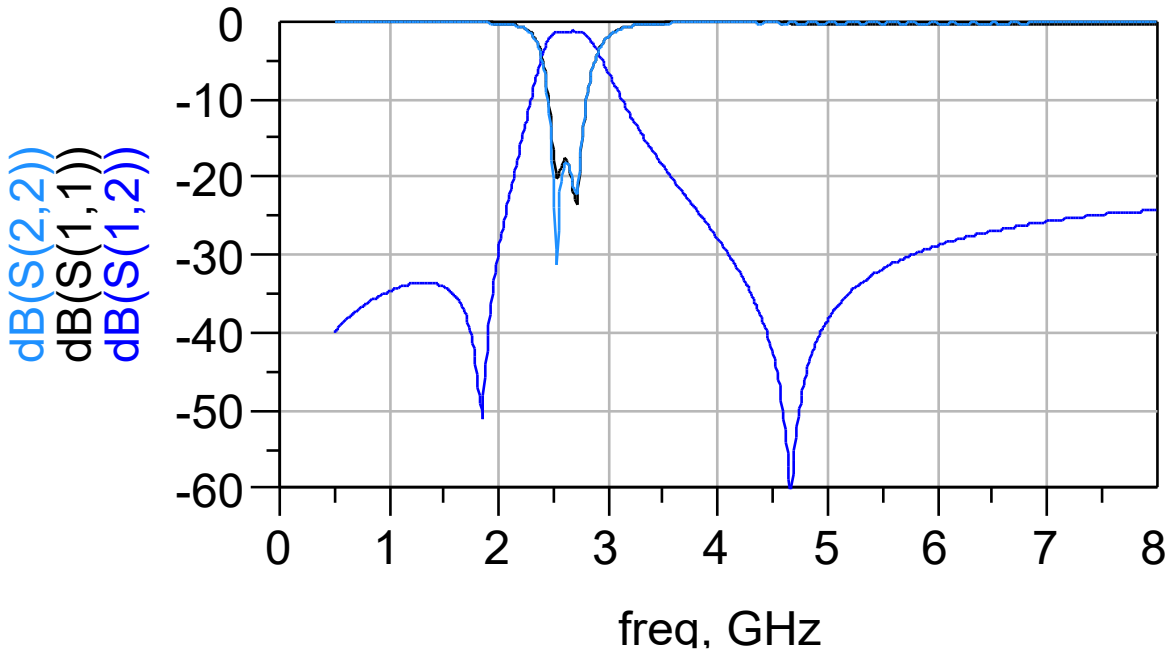
If you'd like the CAD PCB layout or have any questions, contact our application engineers at <https://www.johansontechnology.com/ask-a-question>

**Measuring Diagram**



**RF Measurement (T = 25°C)**

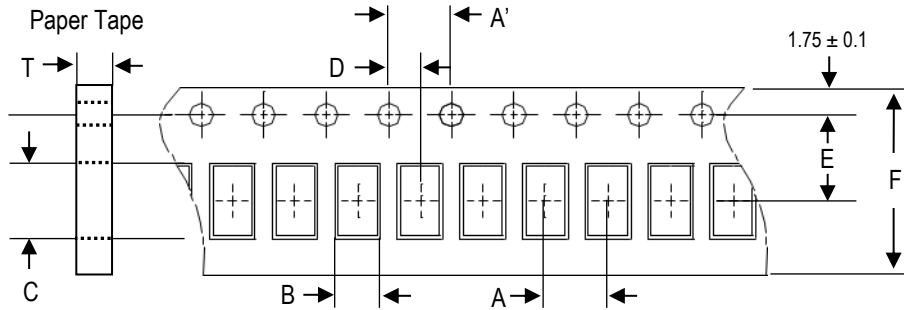
Insertion Loss, Return Loss and Attenuation



S-parameters, layout file, and complimentary design review are available upon request. Contact our application engineers at <https://www.johansontechnology.com/ask-a-question>

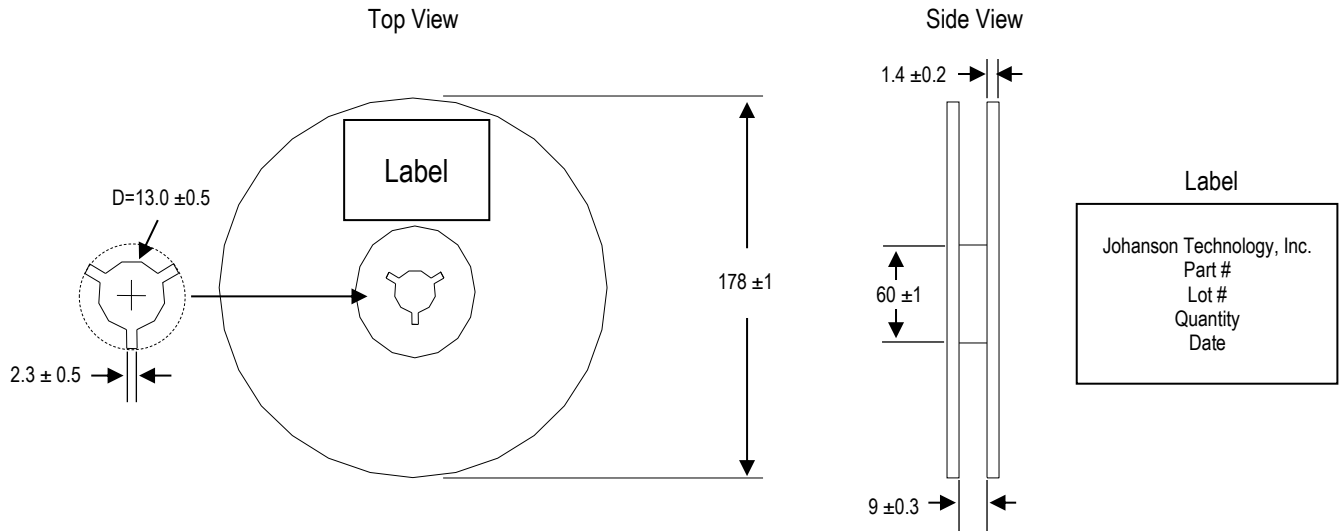
**Tape and Reel Specification (Units in mm)**

**Tape Dimensions**

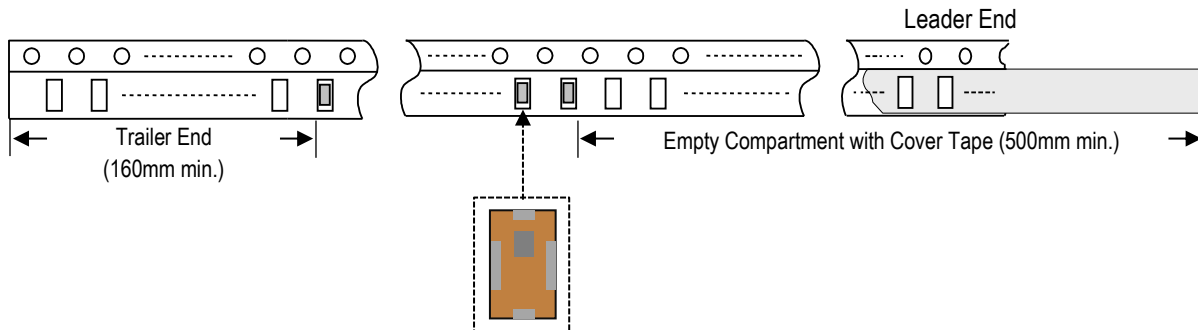


A	A'	B	C	D	E	F	T	Quantity/reel	Tape material
4.0 ±0.1	4.0 ±0.1	1.1 ±0.1	1.92 ±0.1	2.0 ±0.1	3.5 ±0.1	8.0 ±0.1	0.75 ±0.05	4,000 pcs.	Paper

**Reel Dimensions**



**Leader and Trailer Dimensions**



**Orderable Part Number**

Packaging Style	Part Number	Termination
Bulk (loose pcs.)	2600BP14M0200001B	Silver
T & R (7" Reel Paper Tape)	2600BP14M0200001T (Qty: 4,000 pcs./reel)	
Evaluation Board with 2 SMA Connectors	2600BP14M0200001CE1	

**Important Links**

[2600BP14M0200001T Product Page](#)

[More Band Pass Filters](#)

[Antenna Tuning, Optimization, and Validation Services](#)

[Soldering Information](#)

[MSL Information](#)

[Packaging Information](#)

[Recommended Storage Condition and Max Shelf Life](#)

[RoHS Compliance](#)

**Johanson Technology, Inc. reserves the right to make design changes without notice.**

**All sales are subject to Johanson Technology, Inc. terms and conditions.**