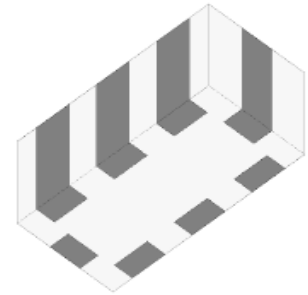
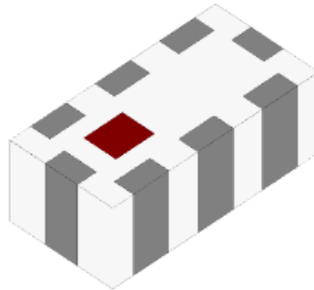


500 MHz Low Pass Filter

- 0 – 500 MHz pass band
- Low insertion loss
- SMD, EIA 0805 (2.0 x 1.25 x 0.9 mm)
- 1W Max. power rating
- RoHS compliant



General Specifications^{1 2}

Insertion Loss (dB)	0 – 500 MHz	0.7 Max.
Return Loss (dB)	0 – 500 MHz	9.5 Min.
Attenuation (dB)	824 – 960 MHz	9 Min.
	1710 – 1990 MHz	25 Min.
	2400 – 4000 MHz	25 Min.

Maximum Ratings

Power Capacity (W)	1 Max. (CW)
Operating Temperature (°C)	-40 to +85
Recommended Storage Conditions post-installation (°C)	-40 to +85
Recommended Storage Conditions and Period for Unused T&R Product	45% - 75% RH
	+5 to +35°C
	18 Months Max.

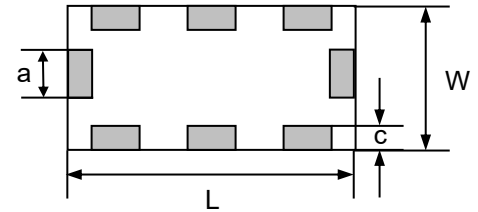
¹ Typical value represents average measurement at 25°C. Min./Max. values represent measurements over specified operating temperature.

² General specifications measured on Johanson's evaluation board PN 0500LP15A0500001CE1.

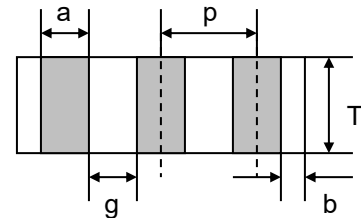
Mechanical Dimensions

	Inches			Millimeters		
L	0.079	±	0.004	2.0	±	0.1
W	0.049	±	0.004	1.25	±	0.1
T	0.037	±	0.004	0.95	±	0.1
a	0.012	±	0.004	0.3	±	0.1
b	0.008	±	0.004	0.2	±	0.1
c	0.012	+0.003/-0.007		0.3	+0.10/-0.20	
g	0.014	±	0.004	0.35	±	0.1
p	0.026	±	0.002	0.65	±	0.05

Bottom view



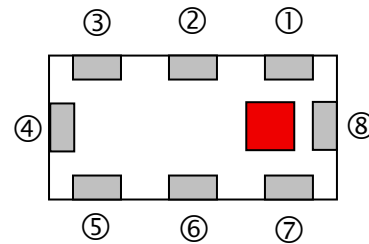
Side view



Terminal Configuration³

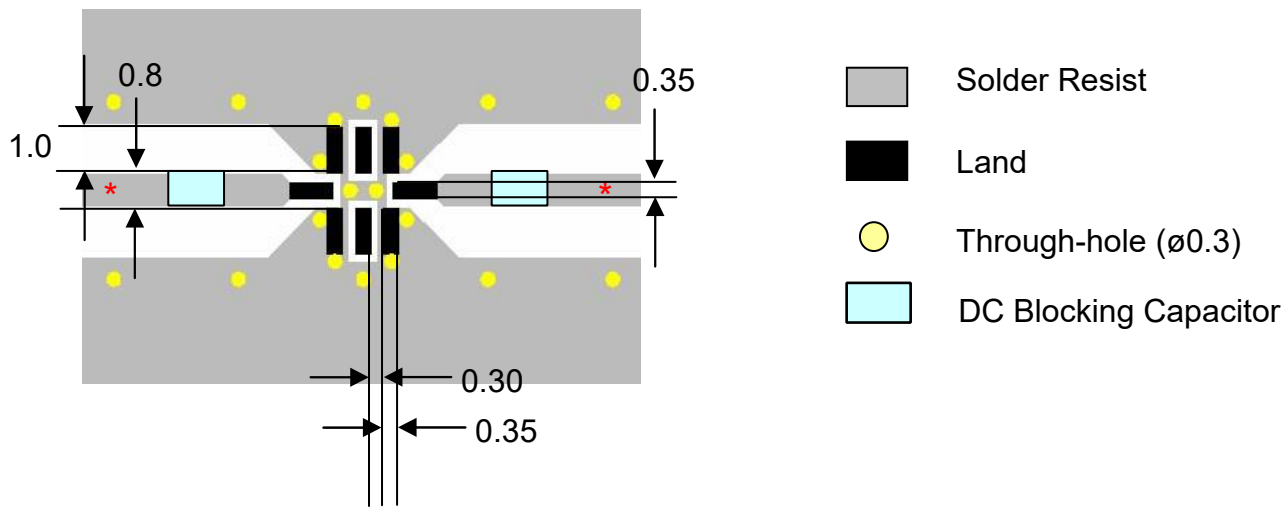
Pin Number	Function
1	GND
2	NC
3	GND
4	INPUT / OUTPUT
5	GND
6	NC
7	GND
8	INPUT / OUTPUT

Top view



³ The termination type is Nickel Tin. Go to: <https://www.johansontechnology.com/tech-notes/typical-soldering-profile-ipc/> for Typical Soldering Profile.

Recommended PCB Layout

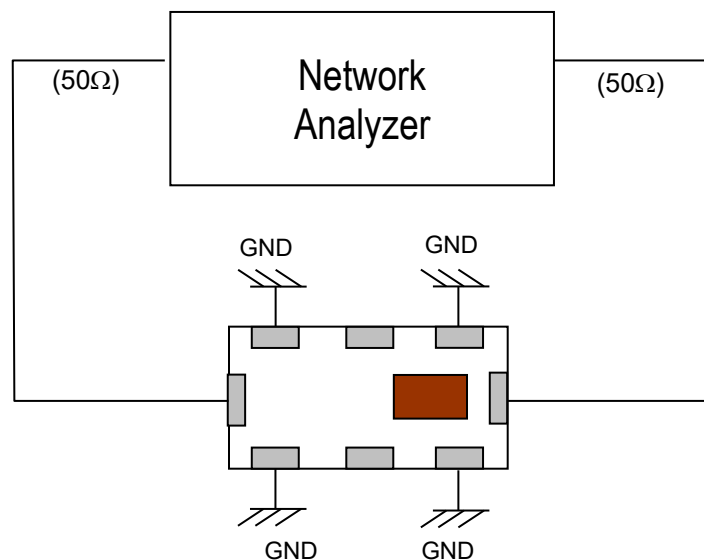


* Transmission line width should be designed to match 50Ω characteristic impedance, depending on PCB material and thickness.

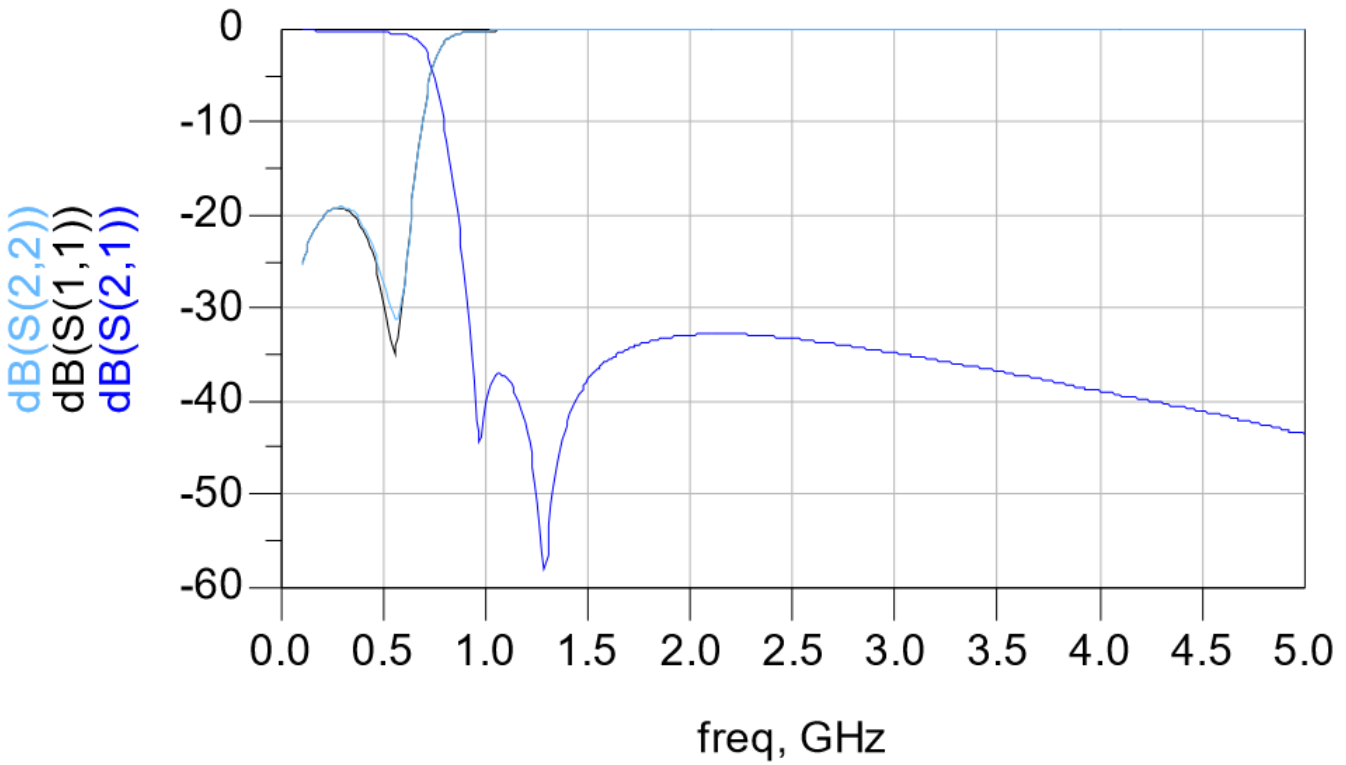
* DC Blocking capacitor is connected in series at each In/Out Port.

If you would like the full reference design package or have any questions, contact our application engineers at <https://www.johansontechnology.com/ask-a-question>

Measuring Diagram



RF Measurement

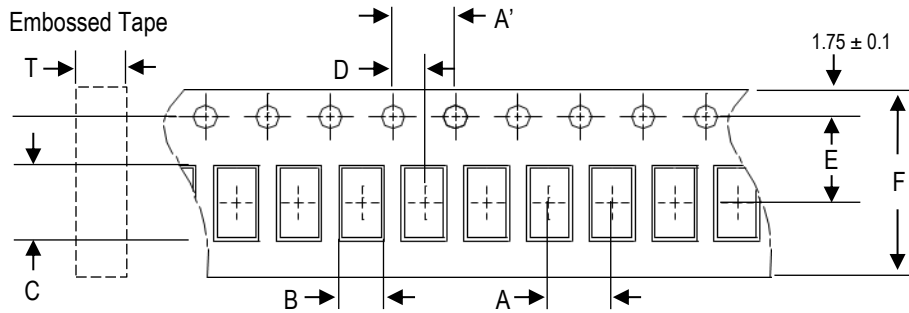


S-parameter and layout files available upon request. Please contact us at <https://www.johansontechnology.com/ask-a-question>



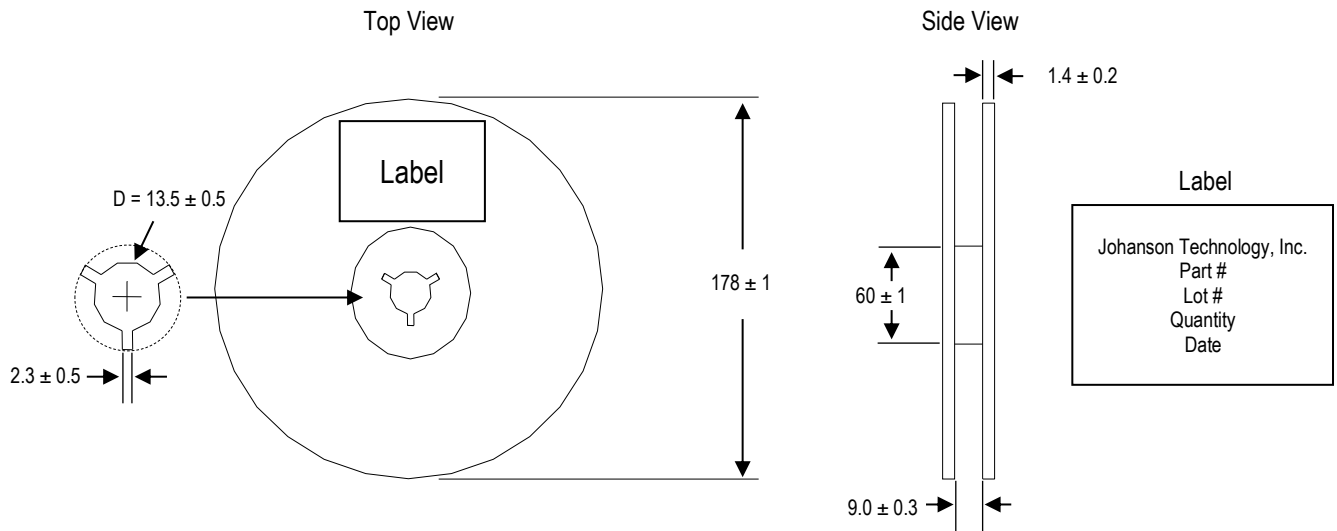
Tape and Reel Specifications (Units in mm)

Tape Dimensions

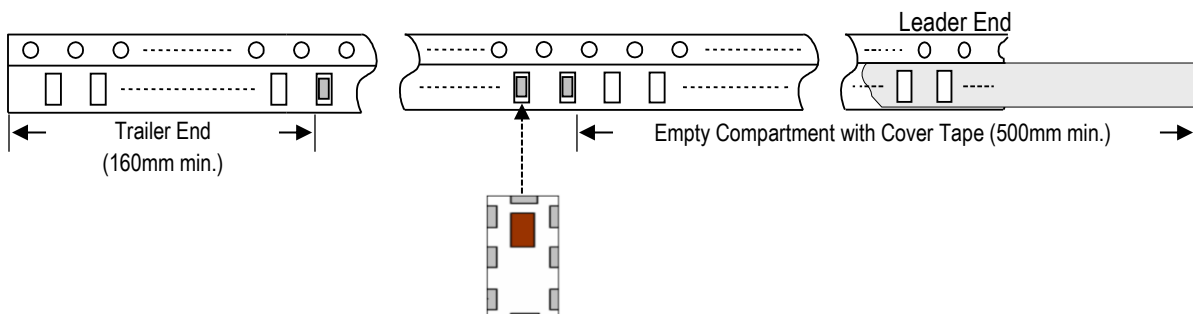


A	A'	B	C	D	E	F	T	Quantity/reel	Tape material
4.0 ± 0.1	4.0 ± 0.1	1.35 ± 0.05	2.15 ± 0.05	2.0 ± 0.05	3.5 ± 0.1	8.0 ± 0.1	1.08 ± 0.05	4,000 pcs	Plastic (Embossed)

Reel Dimensions



Leader and Trailer Dimensions



Orderable Part Numbers

Packaging Style	Part Number	Termination
Bulk (loose pcs.)	0500LP15A0500001B	Nickel Tin
T & R (7" Reel Embossed Tape)	0500LP15A0500001E (Qty: 4,000 pcs./reel)	
Evaluation Board with 2 SMA Connector	0500LP15A0500001CE1	

Important Links

[0500LP15A0500001E Product Page](#)

[More Low Pass Filters](#)

[Antenna Tuning, Optimization, and Validation Services](#)

[Soldering Information](#)

[MSL Information](#)

[Packaging Information](#)

[Recommended Storage Condition and Max Shelf Life](#)

[RoHS Compliance](#)

Contact our application engineers for a PCB layout review.

Johanson Technology, Inc. reserves the right to make design changes without notice.

All sales are subject to Johanson Technology, Inc. terms and conditions.