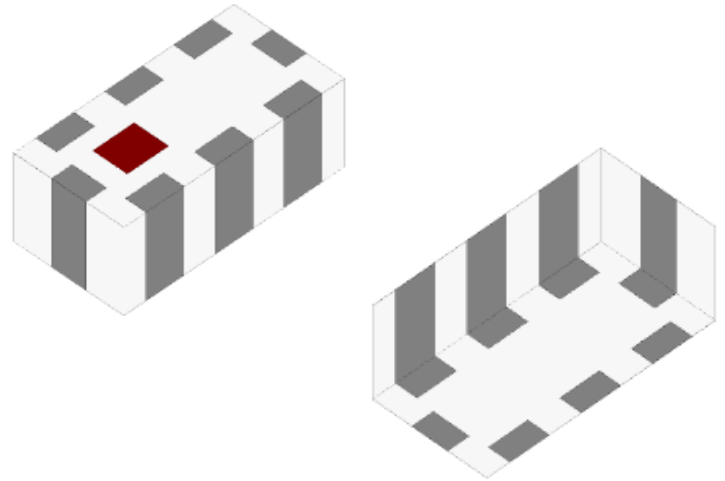


## 915 MHz Low Pass Filter

- 902 – 928 MHz pass band
- Low insertion loss
- SMD, EIA 0805 (2.0 x 1.25 x 0.95 mm)
- 3W Max. power rating
- RoHS compliant



### General Specifications<sup>1 2</sup>

Insertion Loss (dB)	902 – 928 MHz	0.5 Max.
Return Loss (dB)	902 – 928 MHz	14 Min.
Attenuation (dB)	1804 – 1856 MHz	30 Min.
	2706 – 2784 MHz	30 Min.

### Maximum Ratings

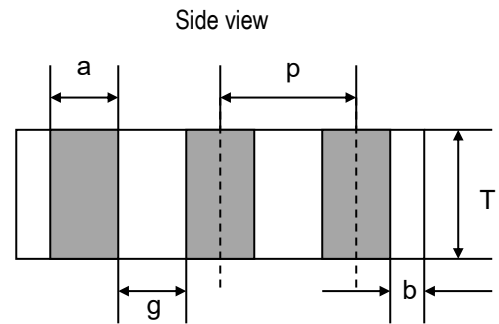
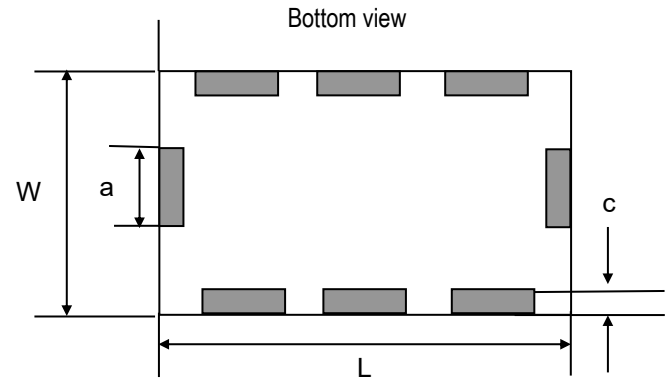
Power Capacity (W)	3 Max. (CW)
Operating Temperature (°C)	-40 to +85
Recommended Storage Conditions post-installation (°C)	-40 to +85
Recommended Storage Conditions and Period for Unused T&R Product	45% - 75% RH +5 to +35 °C 18 Months Max.

<sup>1</sup> Typical value represents average measurement at 25°C. Min./Max. values represent measurements over specified operating temperature.

<sup>2</sup> General specifications measured on Johanson's evaluation board P/N 0915LP15B0026001CE1.

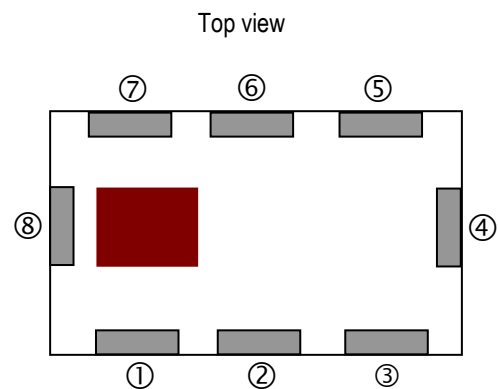
**Mechanical Dimensions**

	Inches			Millimeters		
<b>L</b>	0.079	±	0.004	2.0	±	0.10
<b>W</b>	0.049	±	0.004	1.25	±	0.10
<b>T</b>	0.037	±	0.004	0.95	±	0.10
<b>a</b>	0.012	±	0.004	0.30	±	0.10
<b>b</b>	0.008	±	0.004	0.20	±	0.10
<b>c</b>	0.012	+0.004/-0.008		0.30	+0.1/-0.2	
<b>g</b>	0.014	±	0.004	0.35	±	0.10
<b>p</b>	0.026	±	0.002	0.65	±	0.05



**Terminal Configuration<sup>3</sup>**

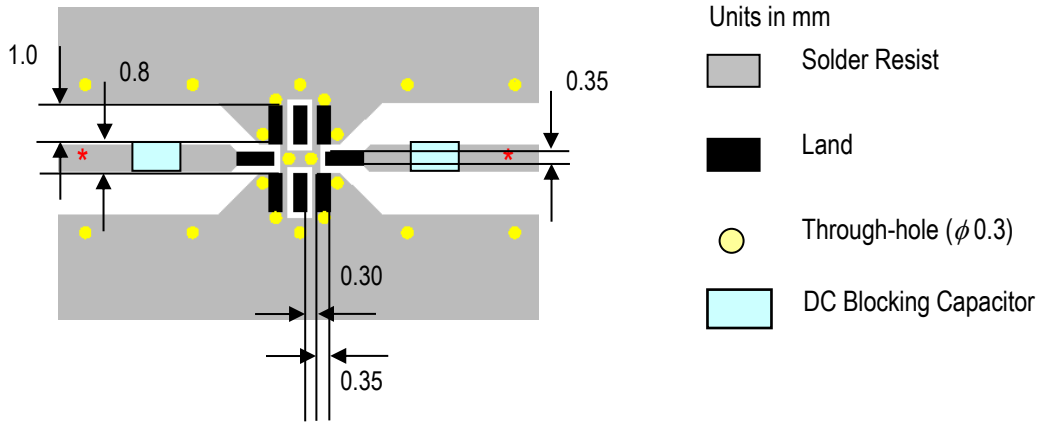
Pin Number	Function
1	GND
2	NC
3	GND
4	INPUT / OUTPUT
5	GND
6	NC
7	GND
8	INPUT / OUTPUT



<sup>3</sup> The termination type is Nickel Tin. Go to: <https://www.johansontechnology.com/ipcsoldering-profile> for Typical Soldering Profile.

**Recommended PCB Configuration**

Note: Mount device with colored mark facing up.

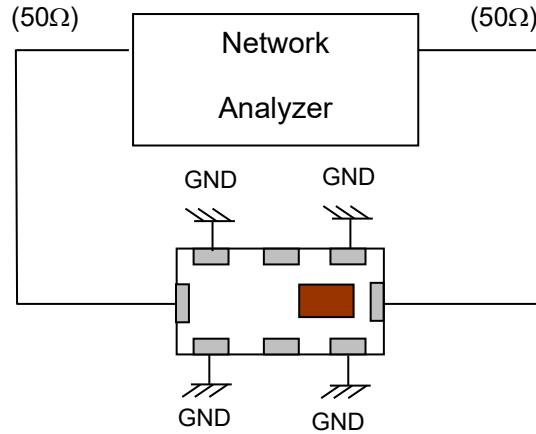


\* Transmission line width should be designed to match 50Ω characteristic impedance, depending on PCB material and thickness.

\* DC Blocking capacitor is connected in series at each In/Out Port.

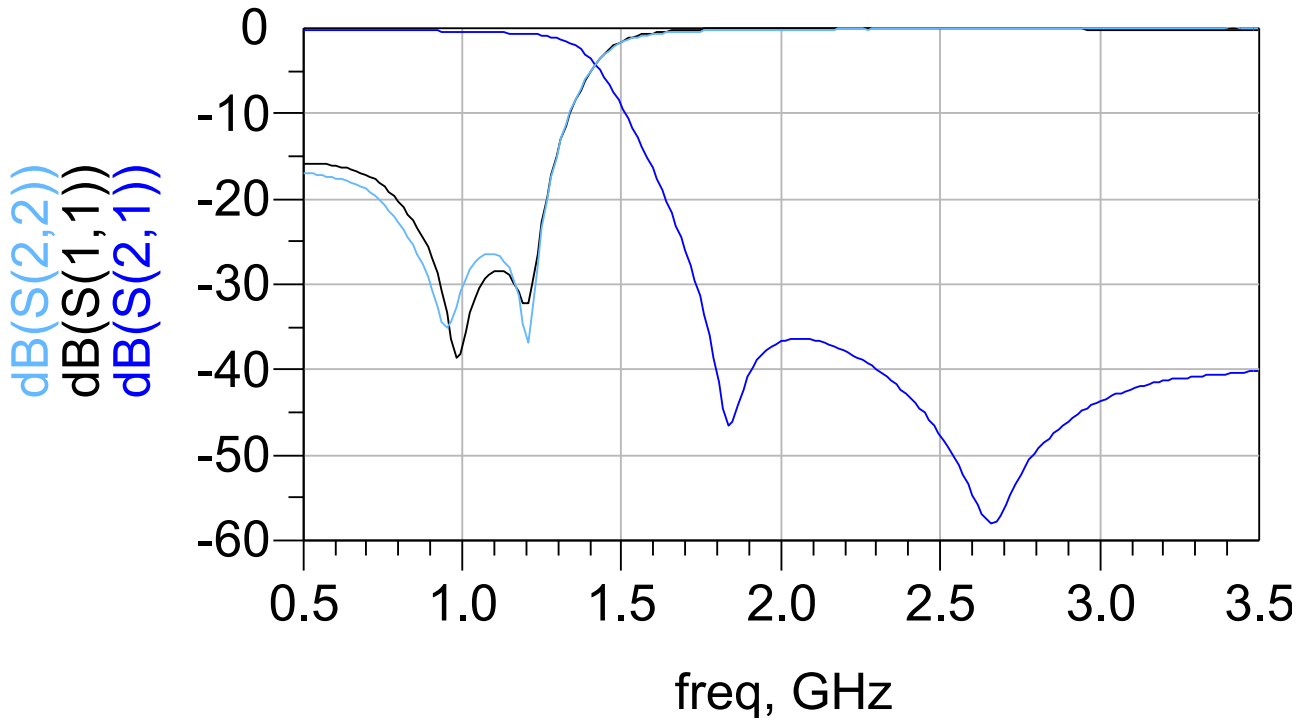
If you'd like the CAD PCB layout or have any questions,  
contact our application engineers at <https://www.johansontechnology.com/ask-a-question>

**Measuring Diagram**



**RF Measurement (T = 25°C)**

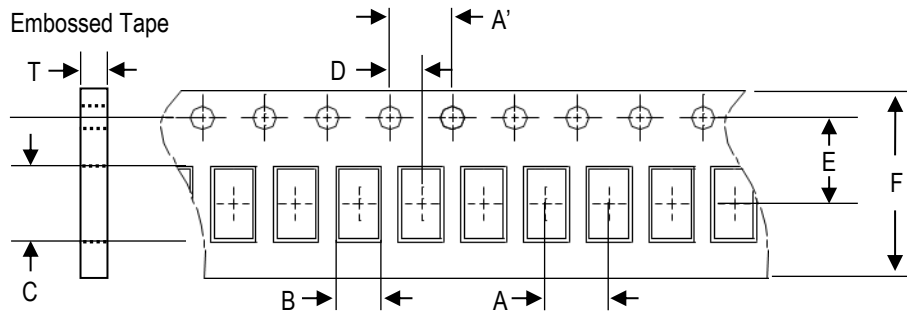
Insertion Loss, Return Loss



S-parameter and layout file available upon request. Please contact us at <https://www.johansontechnology.com/ask-a-question>

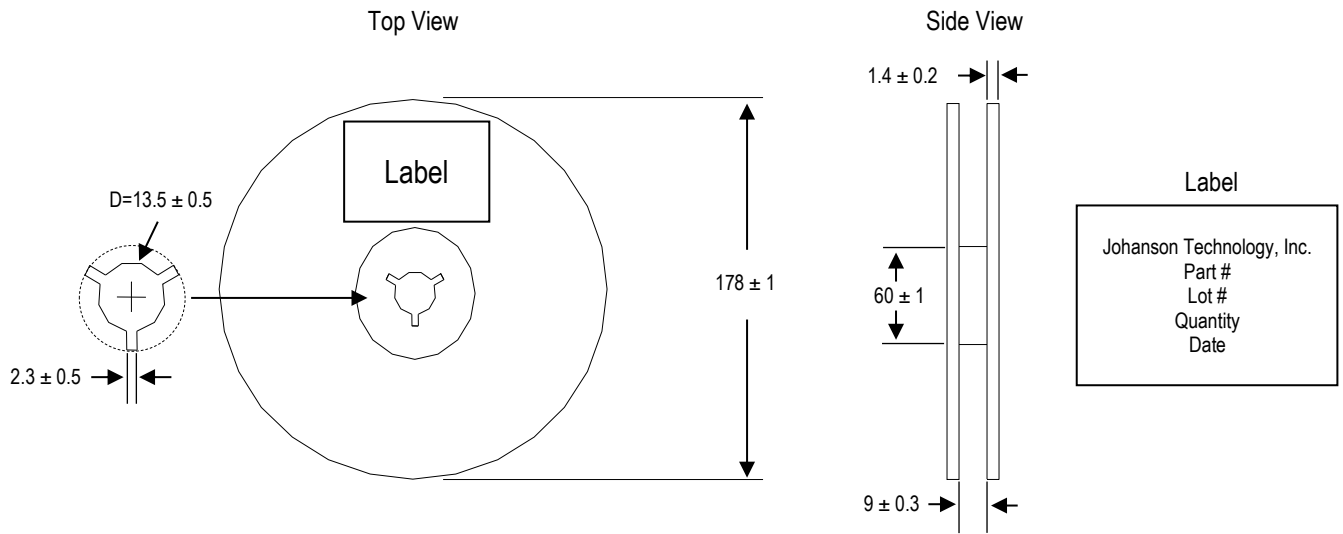
**Tape and Reel Specification (Units in mm)**

**Tape Dimensions**

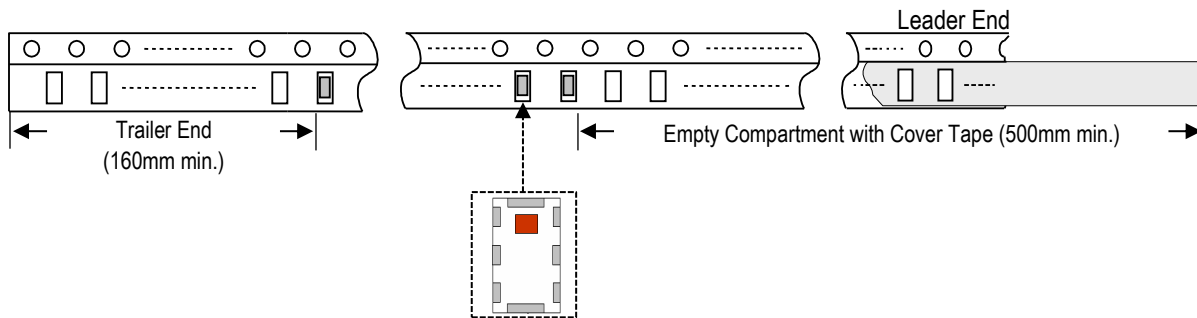


A	A'	B	C	D	E	F	T	Quantity/reel	Tape material
4.0±0.1	4.0±0.1	1.35±0.05	2.15±0.05	2.0±0.05	3.5±0.1	8.0±0.1	1.08±0.05	4,000pcs.	Plastic (Embossed)

**Reel Dimensions**



**Leader and Trailer Dimensions**



**Orderable Part Numbers**

Packaging Style	Part Number	Termination
Bulk (loose pcs.)	0915LP15B0026001B	Nickel Tin
T & R (7" Reel Embossed Tape)	0915LP15B0026001E (Qty: 4,000 pcs/reel)	
Evaluation Board with 2 SMA Connectors	0915LP15B0026001CE1	

**Important Links**

[0915LP15B0026001E Product Page](#)

[More Low Pass Filters](#)

[Antenna Tuning, Optimization, and Validation Services](#)

[Soldering Information](#)

[MSL Information](#)

[Packaging Information](#)

[Recommended Storage Condition and Max Shelf Life](#)

[RoHS Compliance](#)

**Johanson Technology, Inc. reserves the right to make design changes without notice.**

**All sales are subject to Johanson Technology, Inc. terms and conditions.**