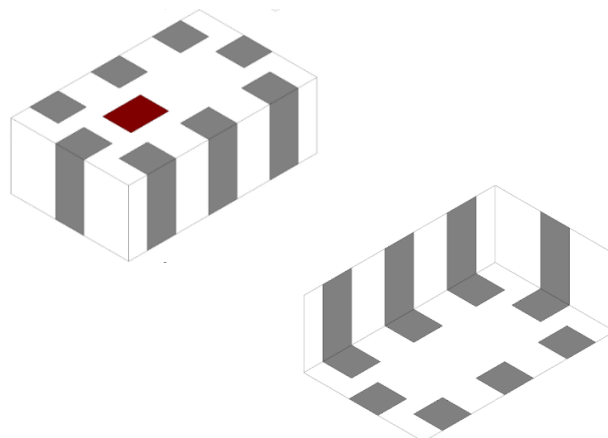


2450 / 5512 MHz RF Diplexer

- 2400 - 2500 / 4900 - 5875 MHz operational bands
- WiFi, Bluetooth, 5GHz UNII Bands
- SMD, EIA 0805
- RoHS compliant



General Specifications^{1 2}

Passband Frequency (MHz)	2400 - 2500	4900 - 5875
Insertion Loss (dB)	0.7 Max	0.9 Max
Return Loss (dB)	9.5 Min.	9.5 Min.
Attenuation (dB)	15 Min. @4900 - 5875 MHz	20 Min. @2400 - 2500 MHz

Maximum Ratings

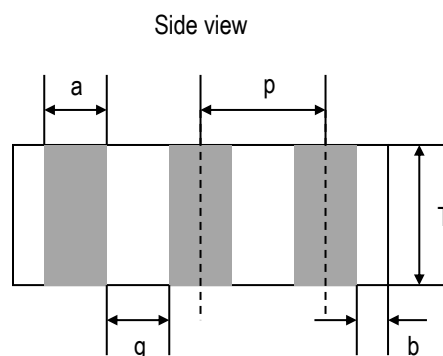
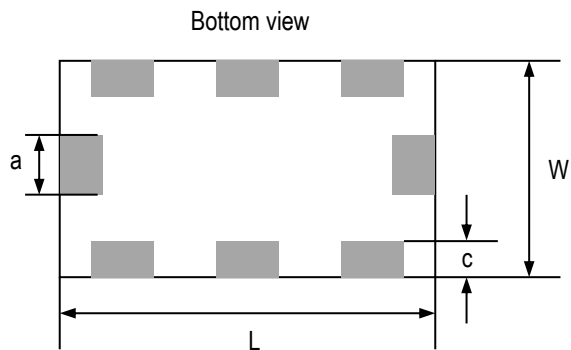
Power Capacity (W)	2 Max. (CW)
Operating Temperature (°C)	-40 to +85
Recommended Storage Conditions post-installation (°C)	-40 to +85
Recommended Storage Conditions and Period for Unused T&R Product	45% - 75% RH +5 to +35 °C 18 Months Max.

¹ Typical value represents average measurement at 25°C. Min./Max. values represent measurements over specified operating temperature.

² General specifications measured on Johanson's evaluation board P/N 2450DP15A5512001CE1.

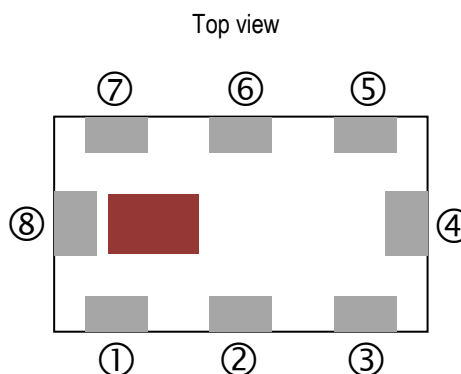
Mechanical Dimensions

	Inches			Millimeters		
L	0.079	±	0.004	2.00	±	0.10
W	0.049	±	0.004	1.25	±	0.10
T	0.037	±	0.004	0.95	±	0.10
a	0.012	±	0.004	0.30	±	0.10
b	0.008	±	0.004	0.20	±	0.10
c	0.012	+0.004/-0.008		0.30	+0.1/-0.2	
g	0.014	±	0.004	0.35	±	0.10
p	0.026	±	0.002	0.65	±	0.05



Terminal Configuration³

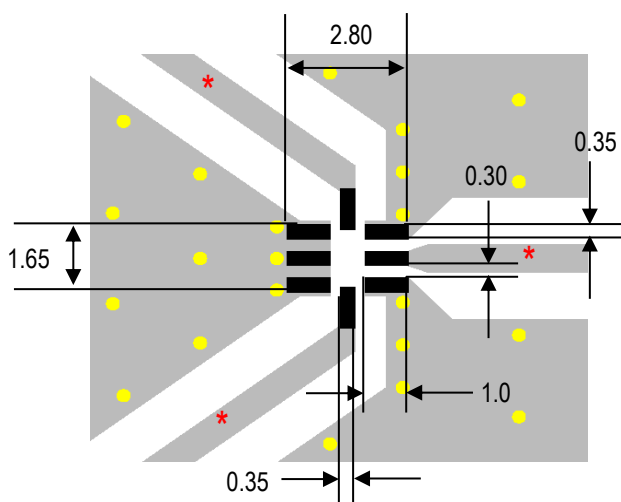
Pin Number	Function
1	GND
2	Common Port
3	GND
4	Higher Freq. Port
5	GND
6	GND
7	GND
8	Lower Freq. Port



³ The termination type is Nickel Tin. Go to: <https://www.johansontechnology.com/tech-notes/typical-soldering-profile-ipc> for Typical Soldering Profile.

Recommended PCB Layout


Note: Mount device with colored mark facing up.



Units in mm

 Solder Resist

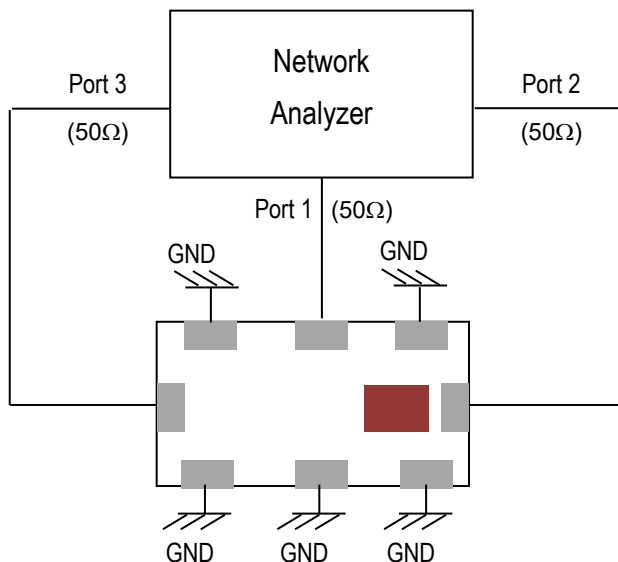
 Land

 Through-hole ($\phi 0.35$)

* Transmission line width should be designed to match 50Ω characteristic impedance, depending on PCB material and thickness.

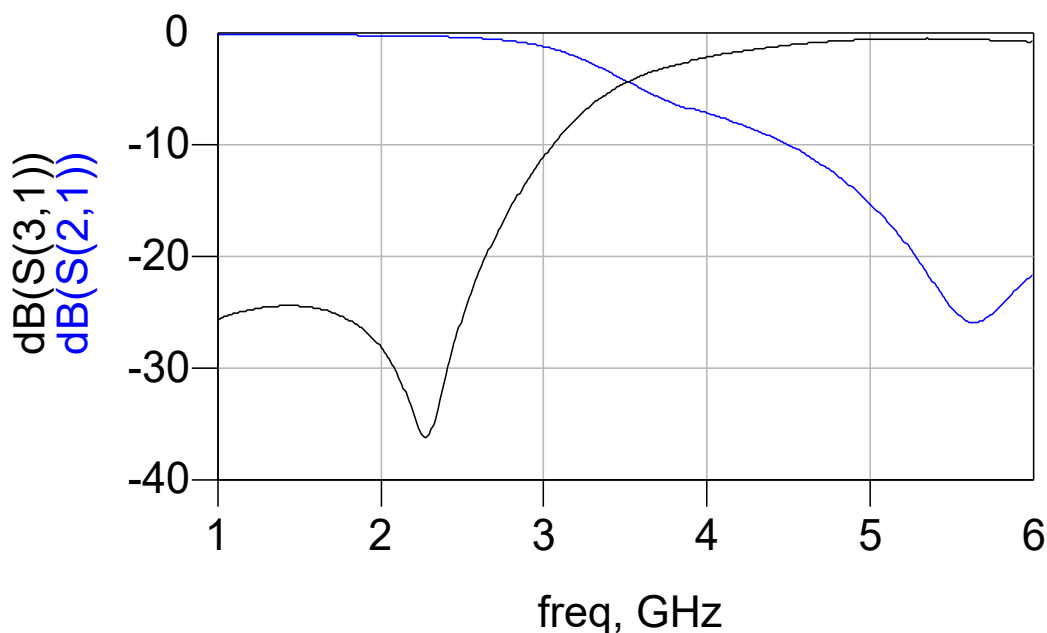
If you would like the CAD PCB layout or have any technical questions, please contact our application engineers at <https://www.johansontechnology.com/ask-a-question>

Measuring Diagram

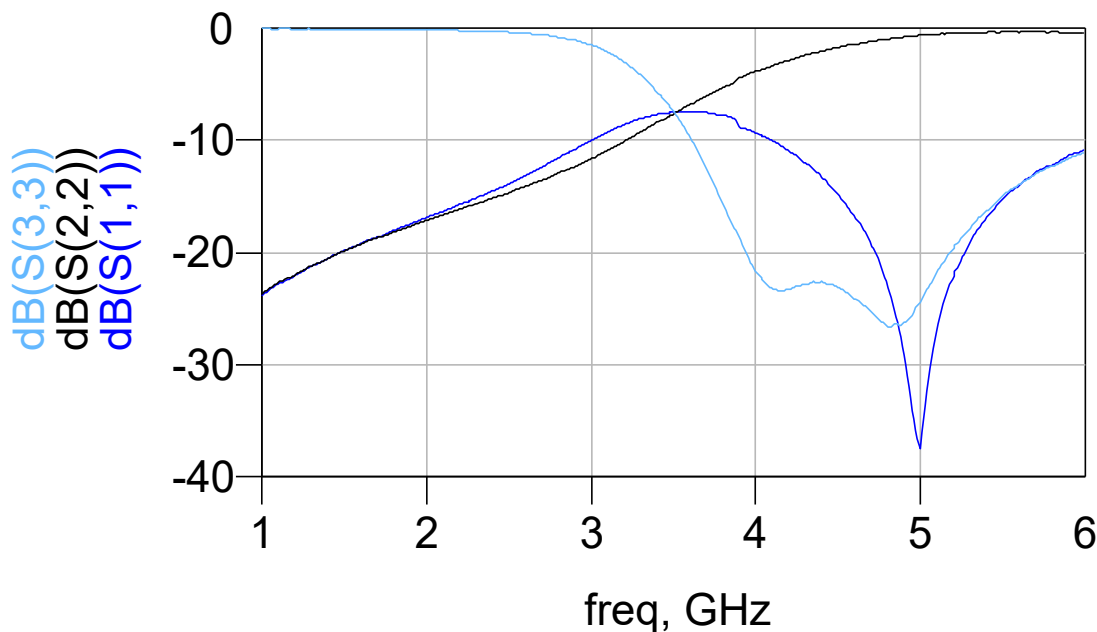


RF Measurements (T = 25°C)

Insertion Loss and Attenuation



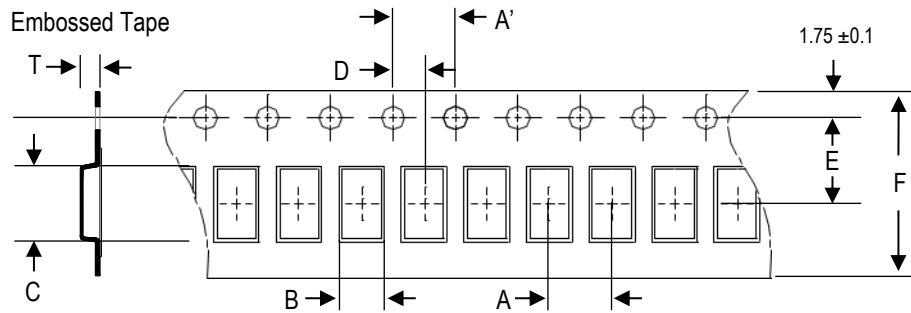
Return Loss



S-parameter and layout files available upon request. Please contact us at <https://www.johansontechnology.com/ask-a-question>

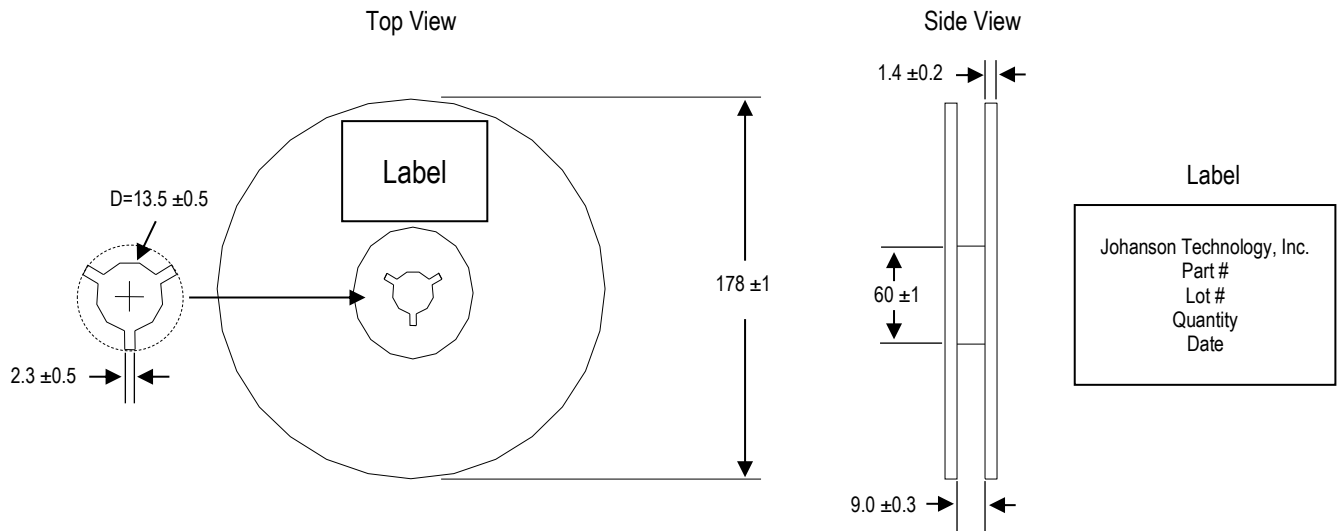
Tape and Reel Specification (Units in mm)

Tape Dimensions

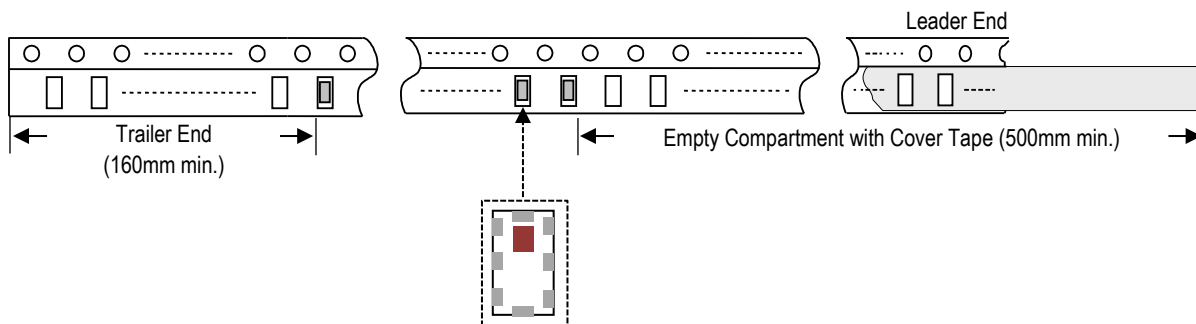


A	A'	B	C	D	E	F	T	Quantity/reel	Tape material
4.0 ±0.1	4.0 ±0.1	1.35 ±0.05	2.15 ±0.05	2.0 ±0.05	3.5 ±0.1	8.0 ±0.1	1.08 ±0.05	4,000 pcs	Plastic (Embossed)

Reel Dimensions



Leader and Trailer Dimensions



Orderable Part Numbers

Packaging Style	Part Number	Termination
Bulk (loose pcs.)	2450DP15A5512001B	Nickel Tin
T & R (7" Reel Embossed Tape)	2450DP15A5512001E (Qty: 4,000 pcs/reel)	
Evaluation Board with 3 SMA Connector	2450DP15A5512001CE1	

Important Links

[2450DP15A5512001E Product Page](#)

[More RF Diplexers](#)

[Soldering Information](#)

[MSL Information](#)

[Packaging Information](#)

[Recommended Storage Condition and Max Shelf Life](#)

[RoHS Compliance](#)

Johanson Technology, Inc. reserves the right to make design changes without notice.

All sales are subject to Johanson Technology, Inc. terms and conditions.